

Coolwave[®] 2 Internal Blower Lamphead Harness Upgrade



WARNING: Allow only qualified personnel to perform the following tasks. Follow the safety instructions in this document and all other related documentation.



WARNING: Isolate the equipment at the main disconnect or lock out before removing any of the cover panels.



WARNING: This equipment operates at high voltages and is therefore potentially dangerous. The electrician servicing this equipment must take all precautions.

Description

Use this instruction to upgrade the harness assembly in the Coolwave[®] 2 internal blower lamphead.

The harness upgrade kit includes the harness assembly and adapter plate mounting screw and washer.

Replacing Harness

Remove Top Cover

See Figure 1.

1. Disconnect the unicable from the lamphead.
2. Remove the top blower cover by removing the six M4 x 10 screws (three front and three rear) and set aside.
3. Remove the top cover.



Figure 1 Removing Blower Screws

Remove Lower Cover

1. Unplug the blower cable from the receptacle.



Figure 2 Unplugging Blower Cable

2. Remove the M4 x 10 screw next to the blower cable receptacle.

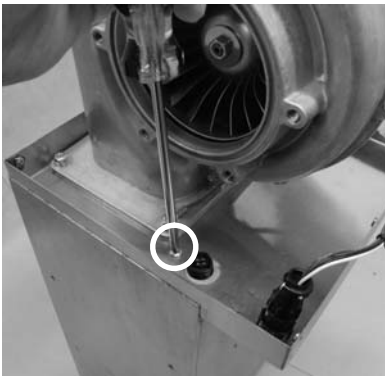


Figure 3 Removing Screw

3. Remove the four bolts and washers securing the blower to the top of the lamphead.
4. Remove the blower from the lamphead.



Figure 4 Removing Bolts and Washers

5. Remove the two M4 x 20 screws on either side of the unicable receptacle.



Figure 5 Removing Screws by Unicable

6. Remove the eight screws at the base of the lamphead (four front and four rear).

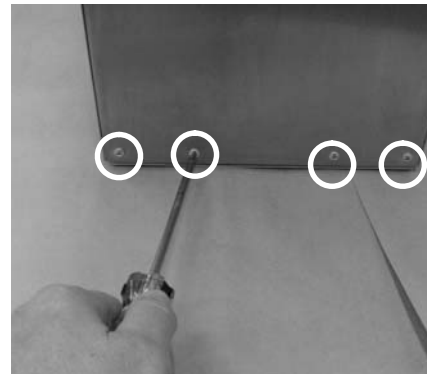


Figure 6 Removing Base Screws

7. Lift the bottom cover straight up and then push the unicable receptacle into the cover until it clears the cover housing.



Figure 7 Removing Bottom Cover

Remove Old Harness

1. Remove the two screws securing the bracket.
2. Pull out the old bracket as much as possible to expose the harness



Figure 8 Removing Bracket Screws

3. Remove all the hardware holding in the harness.

NOTE: Retain all hardware for installing new harness.

 - a. Remove two capacitor screws (2) and washers (1).

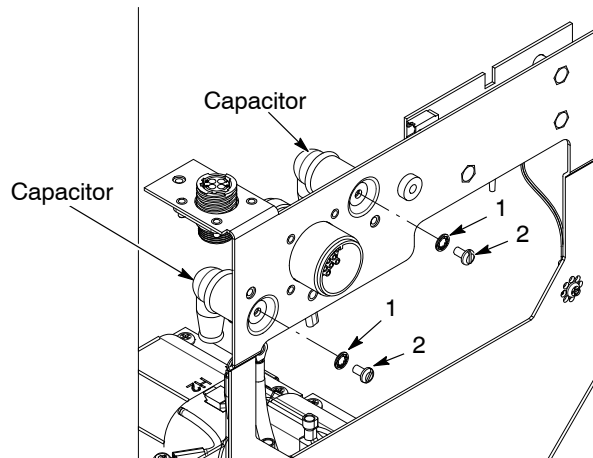


Figure 9 Removing Capacitor Hardware

- b. Remove four connector lock nuts (4).
 - c. Remove four receptacle lock nuts (3).
 - d. Remove the two filter box hex nuts (5).
 4. Remove faston terminals (6) from the transformers (7).
 5. Loosen the two bulb screws (8) to release bulb wires.
 6. Disconnect ring terminals and board connections (A–F) as shown in Figure 15.
- NOTE:** Retain hardware for new harness installation.
7. Remove old harness from the lamphead.

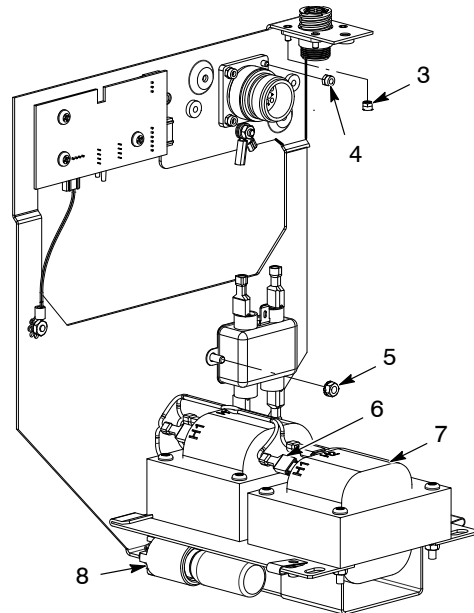


Figure 10 Removing Hardware and Faston Terminals

Install New Harness

1. See Figure 10. Install new harness assembly connector, receptacle, and filter box with saved hardware.

2. Install faston terminals as follows:

Wire Color	Transformer	Terminal
Blue and White	T1	H1
White	T2	H2
Brown and Gray	T1	H2
Gray	T2	H1

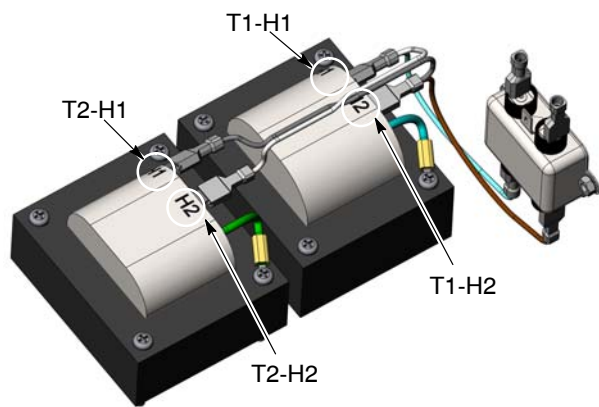


Figure 11 Installing Faston Terminals

3. Connect bulb wires by tightening bulb screws. Wire the bulb socket as follows:

- Green wire to top terminal
- Violet wire to bottom terminal

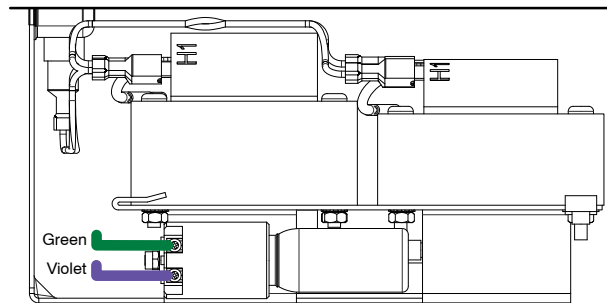


Figure 12 Installing Bulb Wires

4. The first capacitor (6) is factory assembled onto the adapter plate (5). Using the provided adapter plate screw (3) and washer (4), install the adapter plate with capacitor (5 and 6).

NOTE: Make sure the tab is at the top and positioned between the connector flange and the bracket weld nut.

5. Install second capacitor (7) with retained hardware (1 and 2).

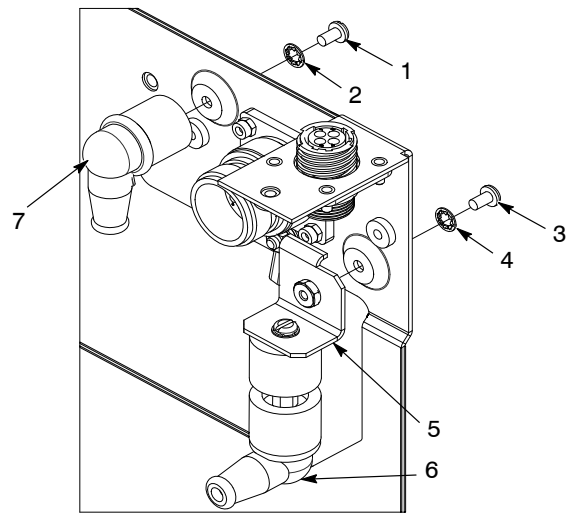


Figure 13 Installing Adapter Plate with Capacitor

6. Connect the remaining ring terminals and board connectors (A–F) as shown in Figure 15.

7. Push bracket rest of the way into lamphead and secure with the two bracket screws.

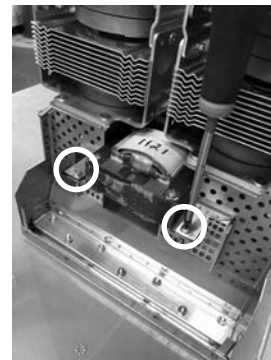
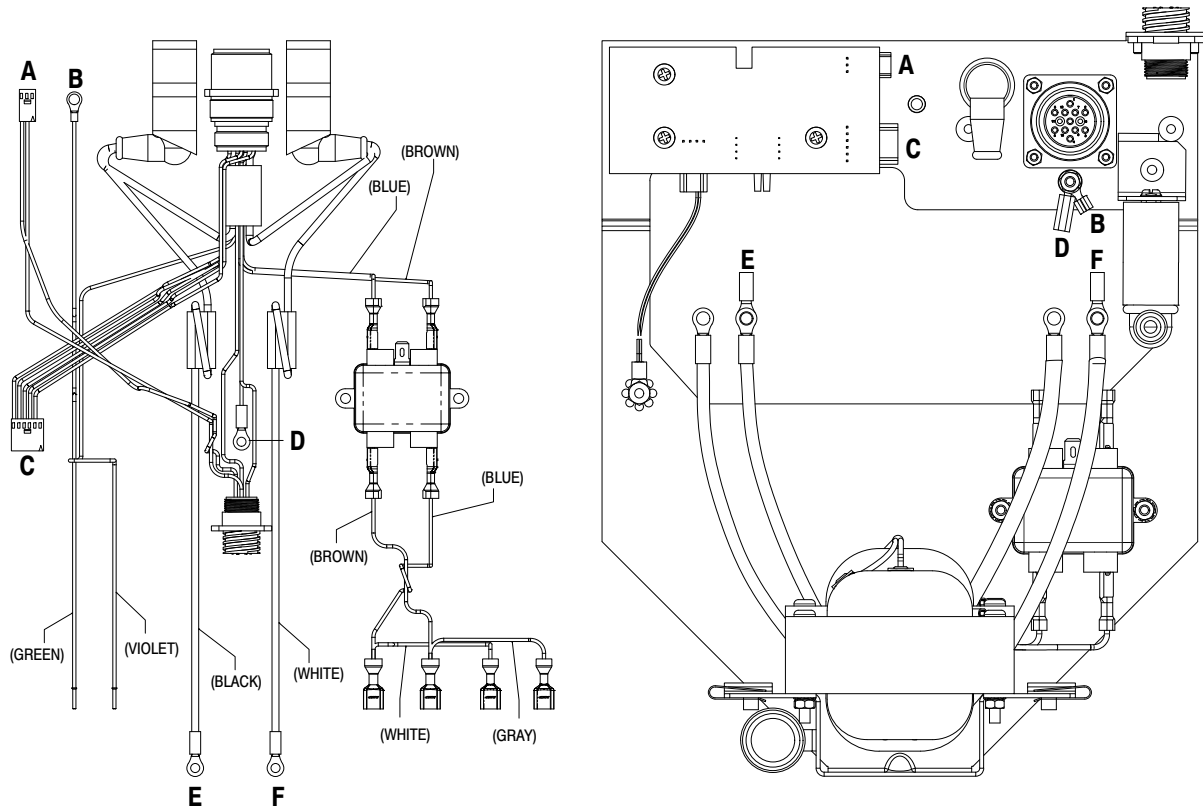


Figure 14 Installing Bracket Screws

Reinstall Covers

1. Reinstall base cover and the blower.
2. Reconnect blower plug.
3. Reinstall top cover and reconnect unicable.



10016998

Figure 15 Ring Terminals and Board Connectors (some parts not shown for clarity)

Parts

Part	Description	Note
1613102	KIT, upgrade, lamphard harness, internal blower	

Issued 08/18

Original copyright date 2018. Coolwave, Nordson, and the Nordson logo are registered trademarks of Nordson Corporation.

All other trademarks are the property of their respective owners.