

CoolWave[®] 2 Transformer T3 and Wire Harness Upgrade Kit

Use the transformer and harness kit to upgrade or replace the Coolwave[®] 2 transformer.

NOTE: Retain the box used for shipping the T3 transformer and wiring to comply with the conditions of warranty.



WARNING: Allow only qualified personnel to perform the following tasks. Follow the safety instructions in this document and all other related documentation. A qualified and competent electrician must carry out all electrical maintenance and servicing of this equipment.



WARNING: This equipment operates at high voltages up to 5000 volts dc and is therefore potentially dangerous. The electrician servicing this equipment must take all precautions.



WARNING: Isolate the equipment at the main disconnect or lockout before removing any of the cover panels.

T3 Transformer Versions

See Figure 1. Previous versions of the T3 transformer could have either pigtail wires or Faston terminals.

NOTE: If transformer has Faston terminals, procedures for replacing wires is not necessary.

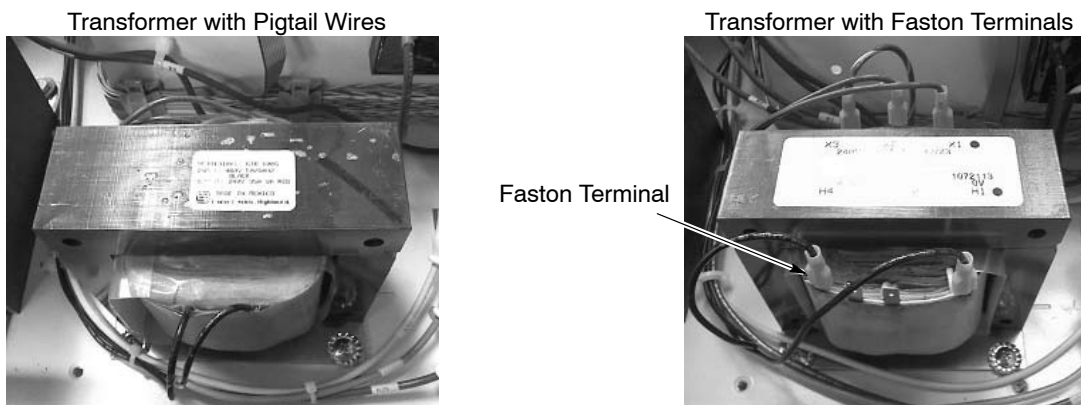


Figure 1 Old Versions of the Transformer

New Wiring Harness

NOTE: Wire harness is only required for replacing transformers with pigtail wires.

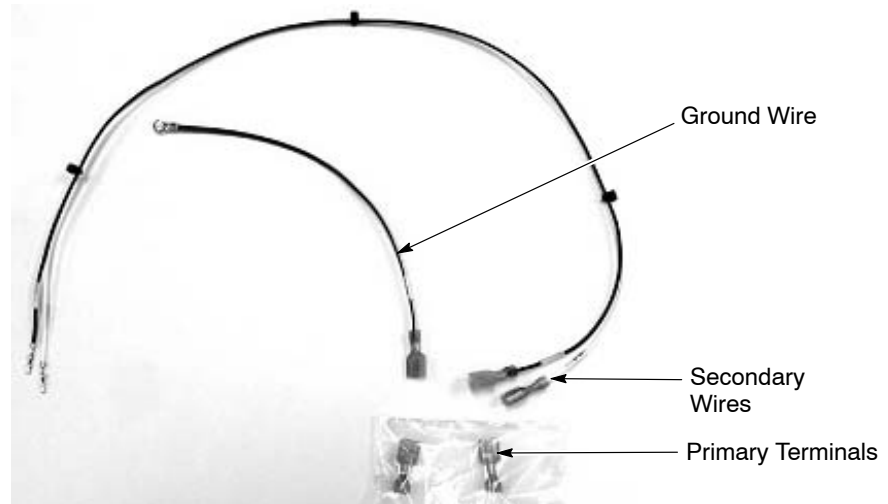


Figure 2 New Wiring Harness

Upgrading the Transformer

Removing Power Supply Cover

1. Remove electrical power from unit.
2. See Figure 3. Remove the six M5 screws from the power supply cover. Remove the cover and set it aside.



Figure 3 Remove Cover Screws

Removing the Old Transformer Wires

NOTE: *Removing the Old Transformer Wires* is not required when replacing transformers with Faston terminals.

Tools Required:

- Wire cutter and stripper
 - Faston crimp tool
 - Extraction tool (refer to *Parts* section)
1. See Figure 4. Cut wires about 0.25" from the transformer winding. Cut both red secondary wires and remove from harness.
 2. Cut both black primary wires, but DO NOT remove. These wires are used for the new transformer.



Figure 4 Cutting Old Transformer Wires

3. Remove connector CONN6 located on the main control board then the red wires at positions 1 and 7. Refer to *Transformer and Harness Disposal* for instructions on proper disposal.

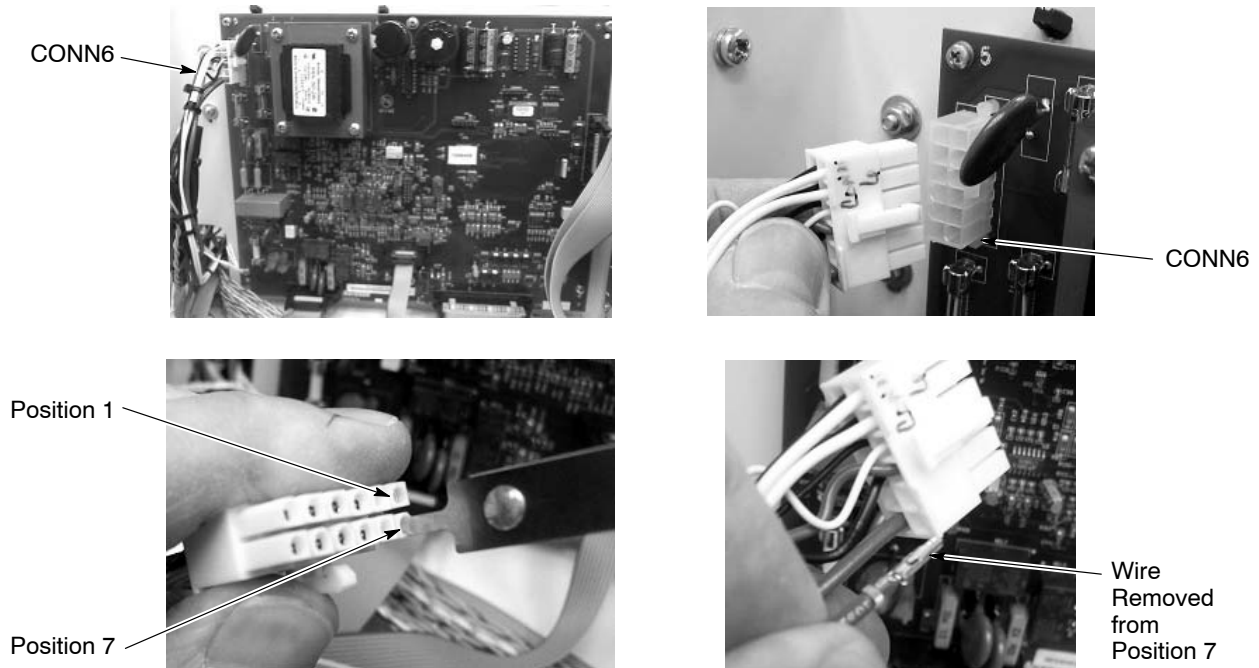


Figure 5 Removing CONN6 and Using Extractor Tool to Disconnect Red Transformer Wires

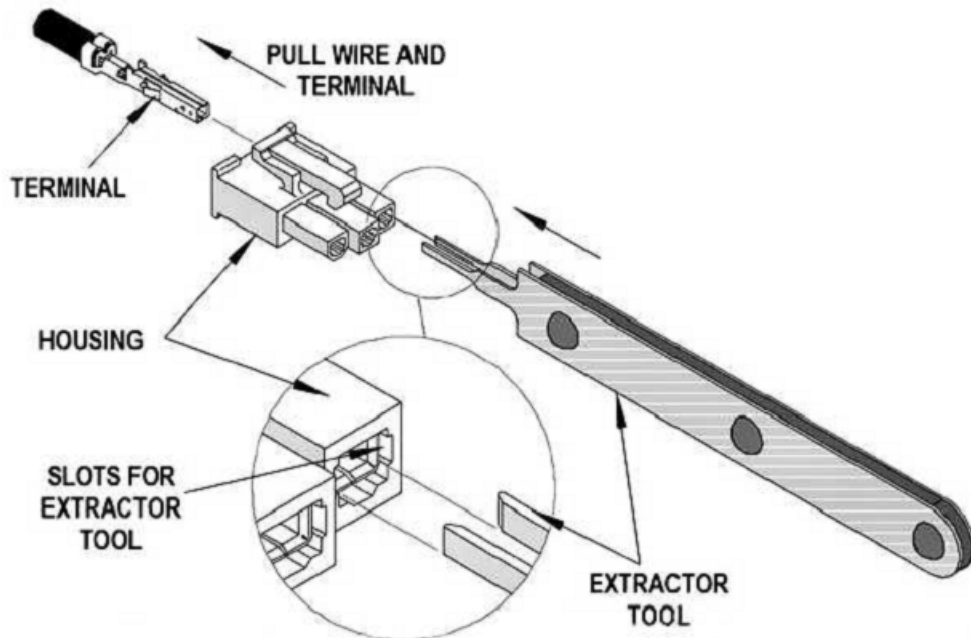


Figure 6 Using Extractor Tool to Remove Wires and Terminals from Connector

Replacing Transformer

See Figure 7.

1. **Faston terminals only:** Remove harness connections from Faston terminals.
2. Remove the four transformer mounting screws and washers. Keep hardware for installing new transformer.
3. Remove transformer and refer to *Transformer and Harness Disposal* for instructions on proper disposal.
4. Mount and secure the new transformer to the chassis using the four screws and washers removed in prior steps.

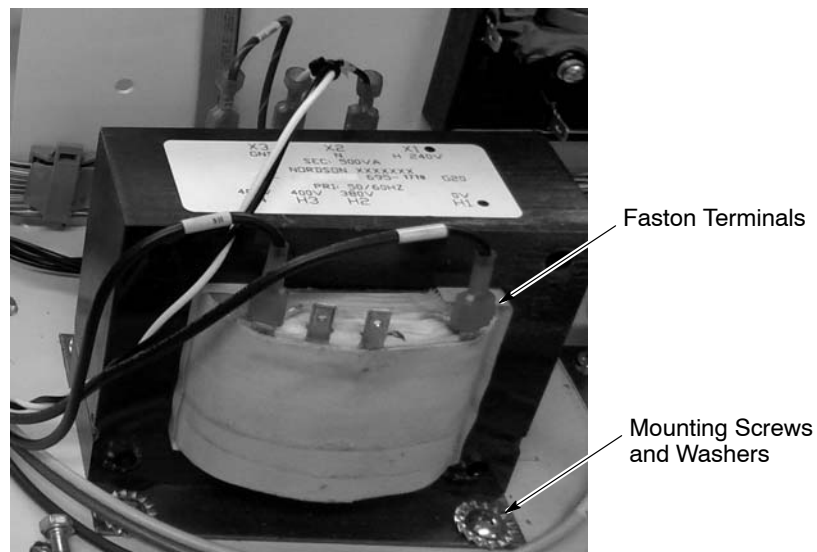


Figure 7 New Transformer

Installing the New Wire Harness

NOTE: *Installing the New Wire Harness* is only required when replacing old transformer with pigtail wires.

1. See Figure 8. One at a time, matching the wire label to the transformer label, attach the Faston lugs onto the terminals, and insert the wires into the main control board CONN6.

From Transformer T3	Wire Color and Label	To	Wire Color and Label
X1	Black, X1-H	Main Control Bd CONN6-1	Black, CON6-1
X2	White, X2-N	Main Control Bd CONN6-7	White, CON6-7
X3	Green/Yellow X3-GND	Transformer, Mounting Screw	Green/Yellow, #10 Ring Terminal

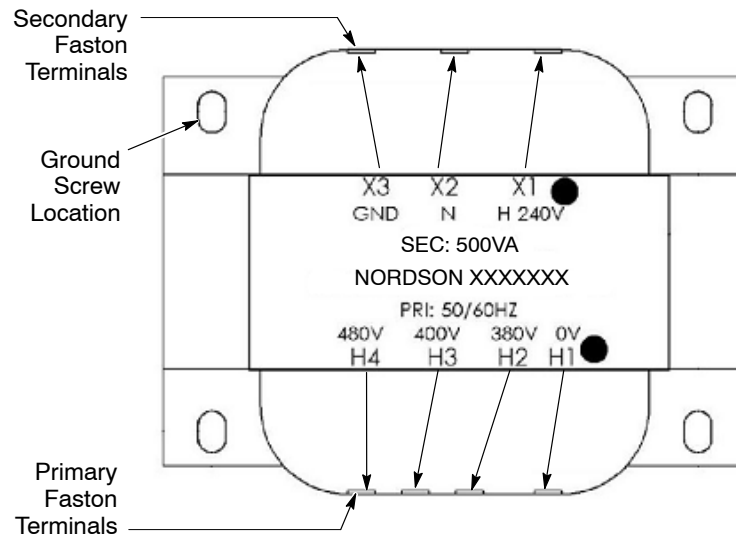


Figure 8 New Transformer Terminals

2. Strip wire insulation back 0.30 in. on the existing primary black wires then crimp on the supplied 0.25 in. Faston lugs. One at a time, match the wire label to the transformer label, and attach the Faston lugs to the terminals.

From Transformer T3	Wire Color	To	Wire Color
H4	Black	Fuse Block 2-1	Black
H1	Black	Fuse Block 2-2	Black

Transformer and Harness Disposal

Dispose of equipment and materials used in operation and servicing according to local codes.

Returns under Warranty

When returning a transformer or wire harness that is under warranty, the items must be sent with the original packaging in which it was received. Failure to comply with these instructions will void the warranty.

Send return items to:

UV System Group
 Nordson Corporation
 Warranty Division
 444 Gordon Ave.
 Amherst, Ohio, 44001

Parts

To order parts, call the Nordson Finishing Customer Support Center at (800) 433-9319 or contact your Nordson representative.

Replacement Kit

Part	Description	Note
1612545	KIT, T3 transformer, step down, CW2	A
NOTE A: Kit includes transformer and harness.		

Extractor Tool (Optional)

Part	Description	Note
1102411	TOOL, extraction, pin, mini-fit	

Issued 4/18

Original copyright date 2010. CoolWave, Nordson, and the Nordson logo are registered trademarks of Nordson Corporation.