

Tribomatic[®] 500 Gun Extension



WARNING: Allow only qualified personnel to perform the following tasks. Follow the safety instructions in this document and all other related documentation.

1. Introduction

Use the Tribomatic 500 gun extension to coat hard-to-reach parts and assemblies.

2. Installation

NOTE: See Figure 1. The deflector (3) pops out of the outer charge sleeve support (1) quickly.

1. Remove the deflector and set it aside.
2. Slide the pattern adjuster retainer (2) backward and off of the outer charge sleeve support.
3. Slide the O-ring (5) onto the outer charge sleeve support.
4. Pull the pattern adjust sleeve (3) backward onto the outer charge sleeve support.
5. Remove the pattern adjuster retainer, pattern adjust sleeve, and O-ring (5), and outlet tube (6) from the outer charge sleeve support.

Previous Generation

2. Installation (contd)

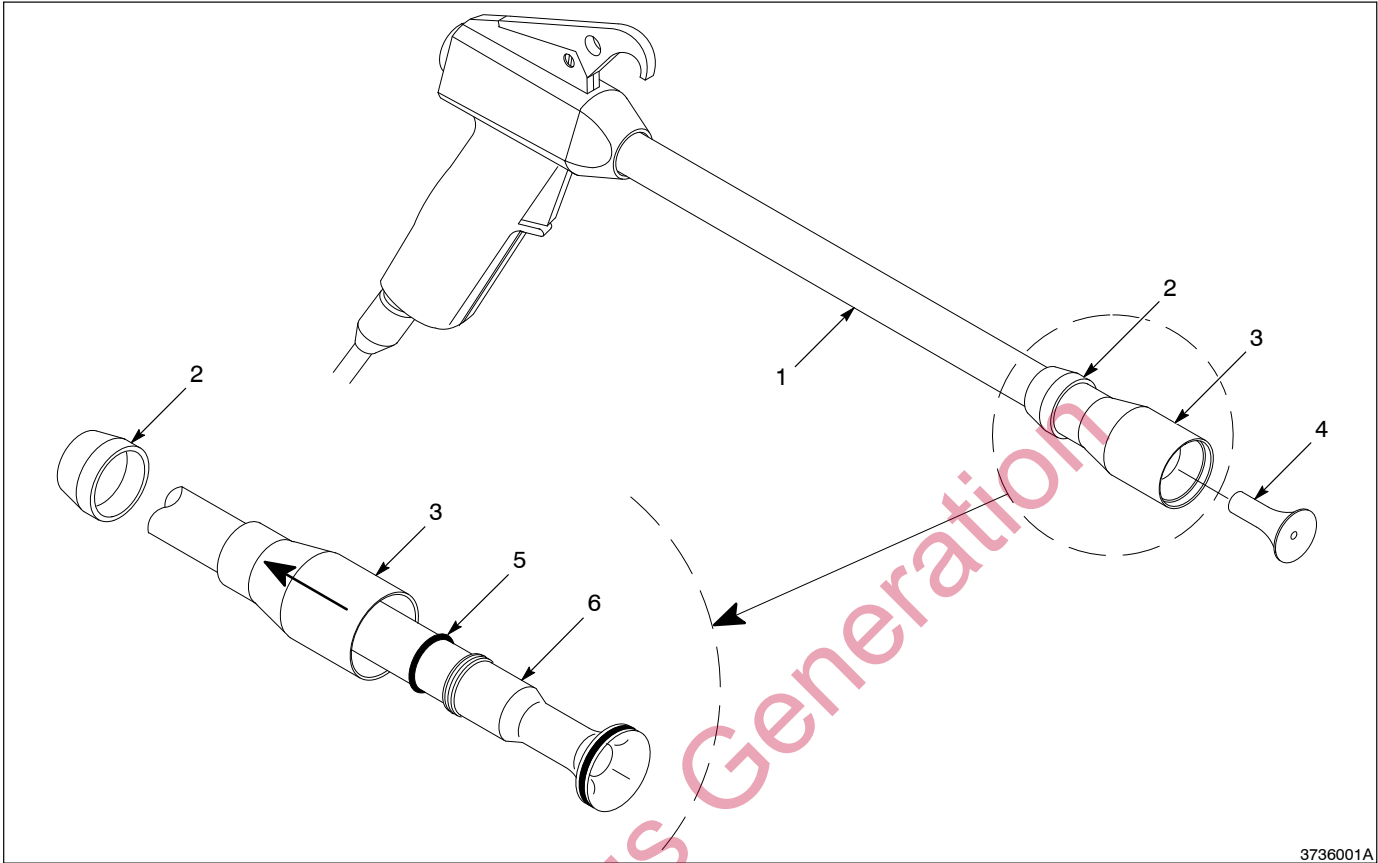


Fig. 1 Removing the Pattern Adjust Sleeve

- | | | |
|--------------------------------|--------------------------|----------------|
| 1. Outer charge sleeve support | 3. Pattern adjust sleeve | 5. O-ring |
| 2. Pattern adjuster retainer | 4. Deflector | 6. Outlet tube |

Installing the Tribomatic 500 Gun Extension

NOTE: See Figure 2. The extension tube (1) is shipped with deflectors. Refer to *Parts* for more information.

1. Slide the extension tube onto the outer charge sleeve support (5).
2. Install the deflector support (2) and deflector (3 or 4).

3. Maintenance



WARNING: Never use a knife or other sharp object to clean the gun parts because scratches contribute to powder buildup and affect gun operation.

NOTE: Minimize removal of the gun extension. An O-ring in the extension provides a friction fit. Frequent removal may stretch the O-ring and loosen the extension.

1. See Figure 1. Blow out the extension parts with compressed air. Check the extension parts for wear and replace any worn parts.
2. Reinstall the extension onto the outer charge sleeve support. Refer to *Installation* for more information.

Previous Generation

4. Parts

See Figure 2.

Item	Part	Description	Quantity	Note
—	635378	Extension, Tribomatic 500	1	
1	635377	• Tube, extension, Tribomatic 500	1	
2	630403	• Support, deflector	1	
3	630191	• Deflector, 27.5 mm conical	1	
4	630404	• Deflector, 27.5 mm conical, with holes	1	A
5	-----	Outer charge sleeve support	1	B

NOTE A: Use this deflector for more thorough penetration.
 B: Refer to the gun manual for ordering information.

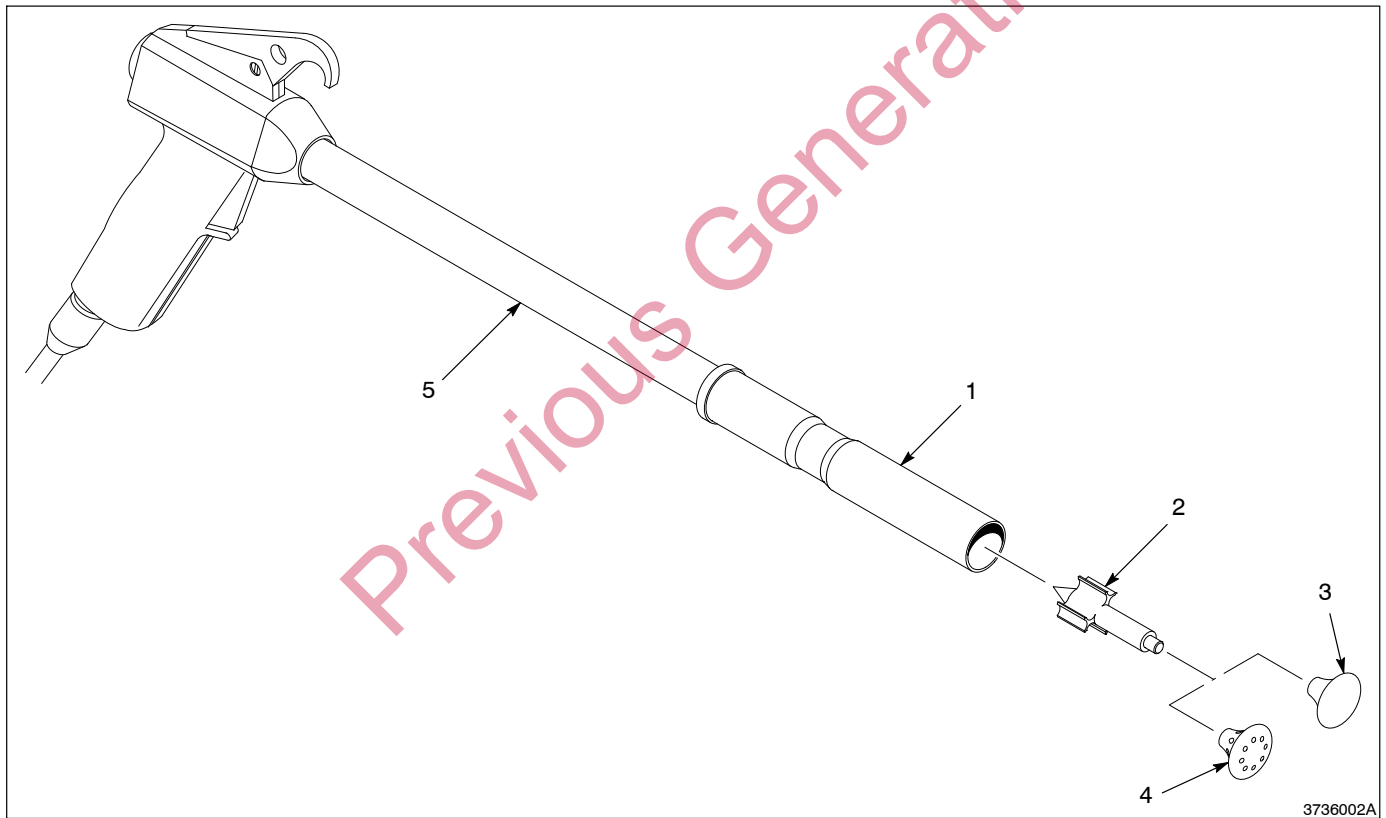


Fig. 2 Tribomatic 500 Gun Extension

Original copyright date 2000. Nordson, the Nordson logo, and Tribomatic are registered trademarks of Nordson Corporation.