

Lance Extensions

for Prodigy® Generation II Manual Powder Spray Gun



WARNING: Allow only qualified personnel to perform the following tasks. Follow the safety instructions in this document and all other related documentation.



WARNING: Turn off the spray gun control unit and ground the gun electrode before performing the following tasks. Failure to observe this warning could result in a severe shock.

Description

Prodigy Manual Powder Spray Gun Lance Extensions extend the length of the powder path to help spray powder into recesses and interior corners. Lance extensions are available in 150- and 300-mm lengths.

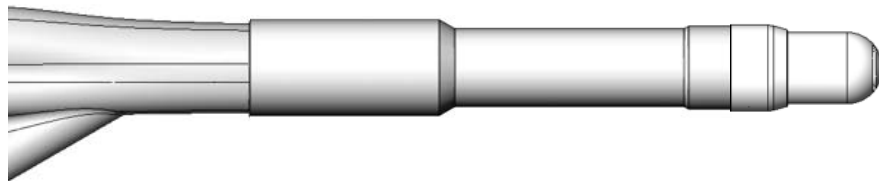


Figure 1 Prodigy Generation II Spray Gun with 150 mm Lance Extension Installed

Installation

1. See Figure 2. Remove the nozzle and retaining nut (1) from the spray gun (3).
2. Install the lance extension (2) onto the spray gun.
3. Install the nozzle and retaining nut onto the lance extension.

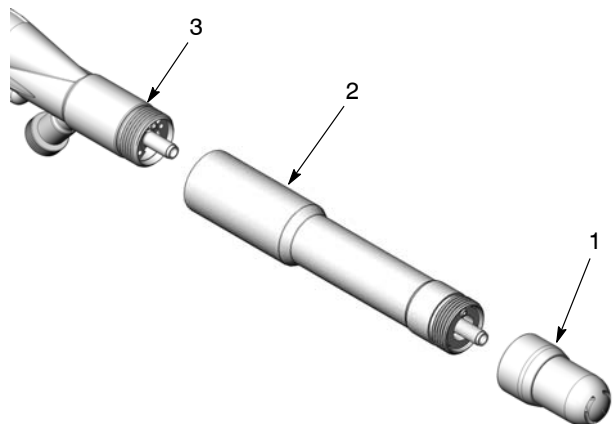


Figure 2 Lance Extension Installation

Parts

To order parts, call the Nordson Finishing Customer Support Center at (800) 433-9319 or contact your local Nordson representative.

Item	Part	Part	Description	Quantity	Note
—	1603177		LANCE EXTENSION, 150 mm, Prodigy, Generation II	1	
—		1603178	LANCE EXTENSION, 300 mm, Prodigy, Generation II	1	
1	1603252		<ul style="list-style-type: none"> KIT, body, lance extension, Prodigy Generation II, 150 mm 	1	
1		1603253	<ul style="list-style-type: none"> KIT, body, lance extension, Prodigy Generation II, 300 mm 	1	
2	1603188	1603188	<ul style="list-style-type: none"> HOUSING, seal, lance powder tube, Prodigy 		
3	940126	940126	<ul style="list-style-type: none"> O-RING, silicone, 0.375 x 0.500 x 0.063 	1	
4	1603189		<ul style="list-style-type: none"> TUBE, powder, lance extension, 150 mm, Prodigy II 	1	
4		1603190	<ul style="list-style-type: none"> TUBE, powder, lance extension, 300 mm, Prodigy II 	1	

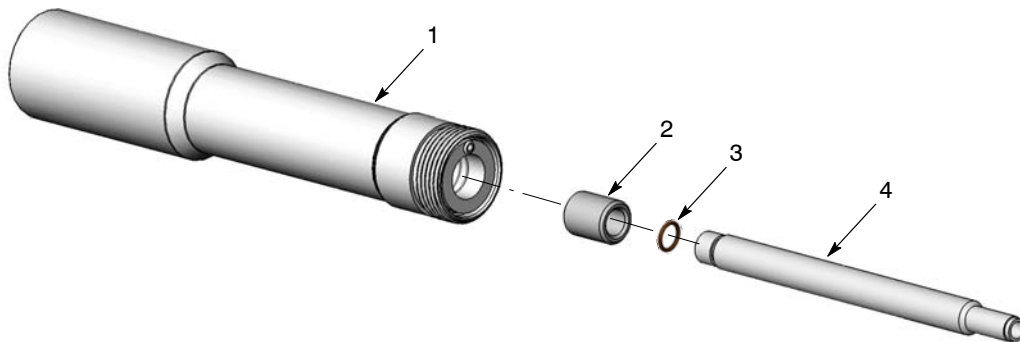


Figure 3 Parts

Issued 02/13

Original copyright date 2013. Prodigy, Nordson, and the Nordson logo are registered trademarks of Nordson Corporation.