

Encore® Manual Porcelain Enamel Powder Spray Gun

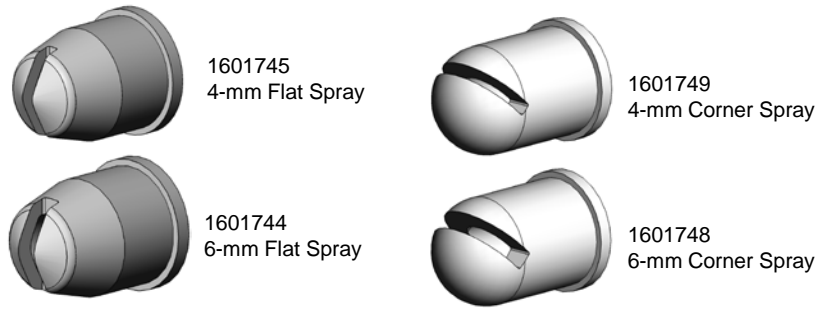


1601416 Spray Gun

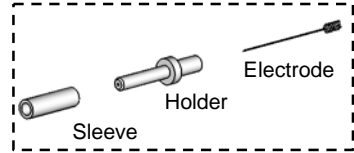
For more information, refer to gun manual 1604193

Optional Flat and Corner Spray Nozzles

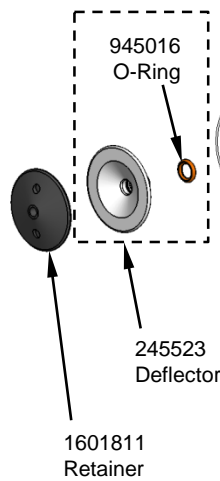
NOTE: To use these nozzles, order 1602194 Electrode Holder Kit and 1601431 Nozzle Nut.



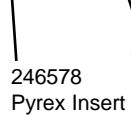
▲ **Application Specific:**
1609053 Positive power supply
(sold separately from gun body)



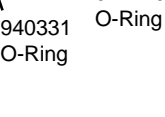
1602194 Electrode Holder Kit for Flat and Corner Nozzles



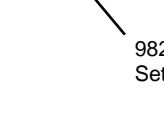
1601811 Retainer



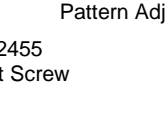
246578 Pyrex Insert



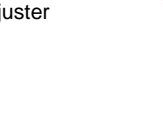
940331 O-Ring



982455 Set Screw



1602039 O-Ring



1601433 Pattern Adjuster



1601431 Nozzle Nut



1601422 Retaining Ring



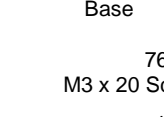
1602193 Wear Sleeve Kit



1601429 Spring



1602041 Electrode



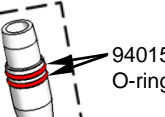
1088558 Filter Assy (included in Body Kit)



1601437 Elbow Assy



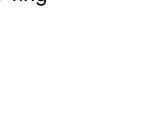
1606999 Trigger/Axle Kit



1081540 Setting Trigger



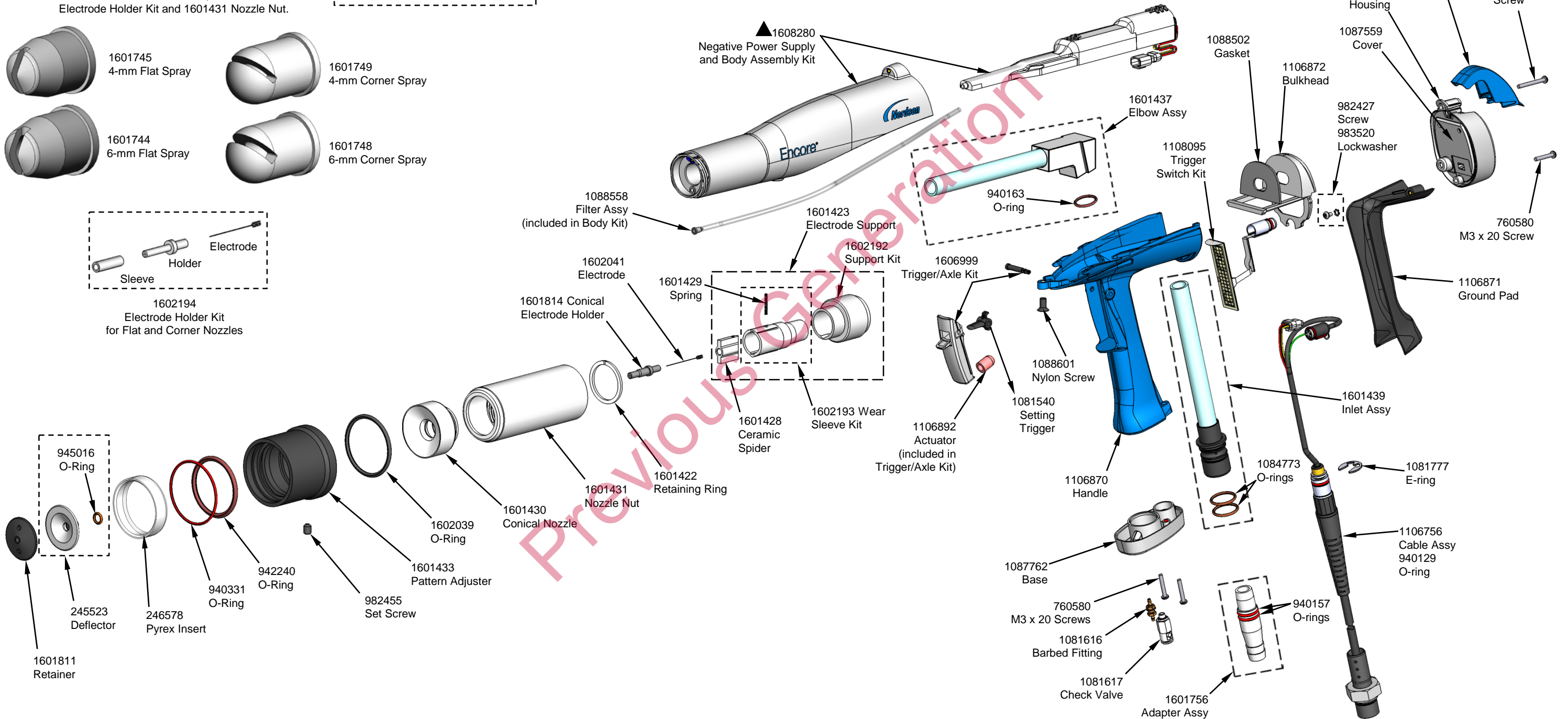
1088601 Nylon Screw



1106892 Actuator (included in Trigger/Axle Kit)



940157 O-rings



Nordson Corporation Powder Customer Service

300 Nordson Drive • Amherst, OH 44001 • (800) 433-9319
Email: finishing_csc@nordson.com
www.nordson.com

Nordson Canada, Limited

1211 Denison Street • Markham, Ontario L3R 4B3
(800) 463-3200
www.nordson.ca

Nordson Deutschland GmbH

Heinrich-Hertz-Strasse 42 • 40699 Erkrath, Germany
Phone: 49-211-9205-0
Email: powder.systems@de.nordson.com
www.nordson-finishing-eu.com