

Encore® LT Manual Powder Spray Gun



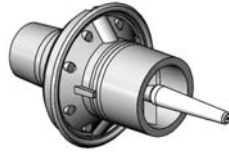





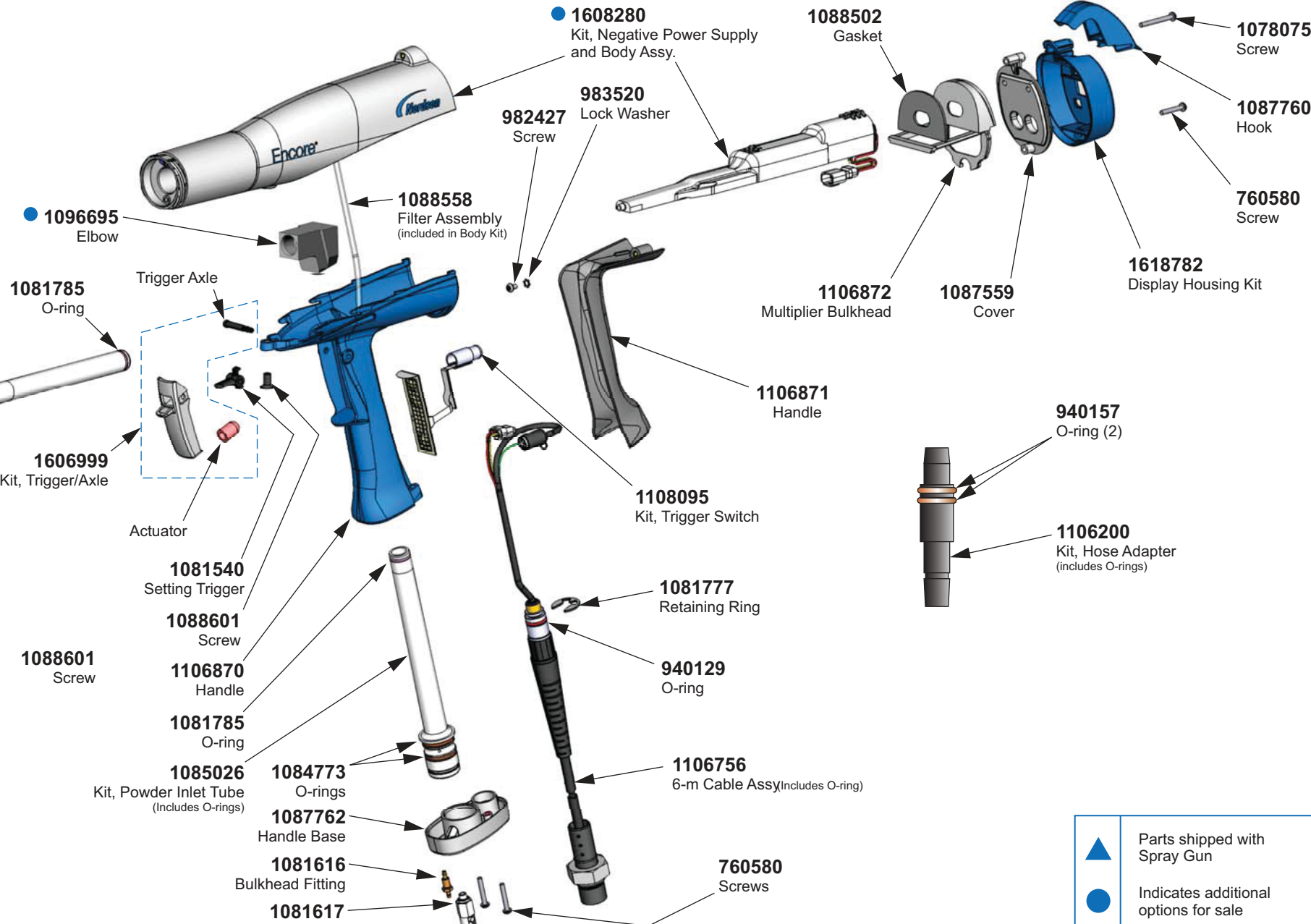






1106893: Spray Gun Assembly with 6-m Cable



Refer to manual part number **1604857** for complete parts and service information, go to emanuals.nordson.com or scan the QR code with any mobile device.



Additional Options Available for Sale

nLighten™	Pattern Adjuster Kit	XD Electrode Support	Flat Spray Nozzle	Lance Extensions	
1611977 LED Inspection Kit 	1098417 Kit, Pattern Adjuster (16, 19, or 26 m Deflectors) 	1613834 Electrode Support Assy, Flat Spray 	1613835 Electrode Support Assy, Conical Spray 	1081656 2.5-mm  1081657 3-mm  ▲ 1081658 4-mm  1081659 6-mm 	Lance Extensions: 1609888: 150-mm Extension 1609889: 300-mm Extension 1609896: 400-mm Extension 1609897: 600-mm Extension Pattern Adjuster, Lance Extensions: 1100012: Pattern adjuster kit for lance extension
			1082184 60 Degree  1082185 90 Degree  1082186 2.5-mm Castle 	Application Specific: 1609053: Positive power supply (sold separately from Spray Gun Body) Other Options: 1096698: Wear resistant outlet tube kit 1096696: Impact resistant elbow 1085168: 6-m Cable Extension 1613306: 12-m Cable 1106076: Conical electrode assembly (includes electrode, electrode support and conical electrode holder) 1604828: Conical nozzle conversion kit (shipped with spray gun and includes conical nozzle, conical electrode holder and 26-mm deflector)	
			Conical Deflectors 		
			Conical Nozzle 1082060 Conical Nozzle 	Conical Electrode Holder 1605861 Conical Electrode Holder 	
			Both parts required for use with Conical Deflectors and Lance Extensions		

▲ Parts shipped with Spray Gun
● Indicates additional options for sale

Nordson Canada, Limited
1211 Denison Street • Markham, Ontario L3R 4B3
(800) 463-3200 • www.nordson.ca

Nordson Corporation Customer Service
300 Nordson Drive • Amherst, OH 44001 • (800) 433-9319
E-Mail: finishing_csc@nordson.com • www.nordson.com

Nordson Deutschland GmbH
Heinrich-Hertz-Straße 42 • 40699 Erath, Germany • 49-211-9205-0
E-Mail: powder.systems@de.nordson.com • www.nordson-finishing-eu.com