

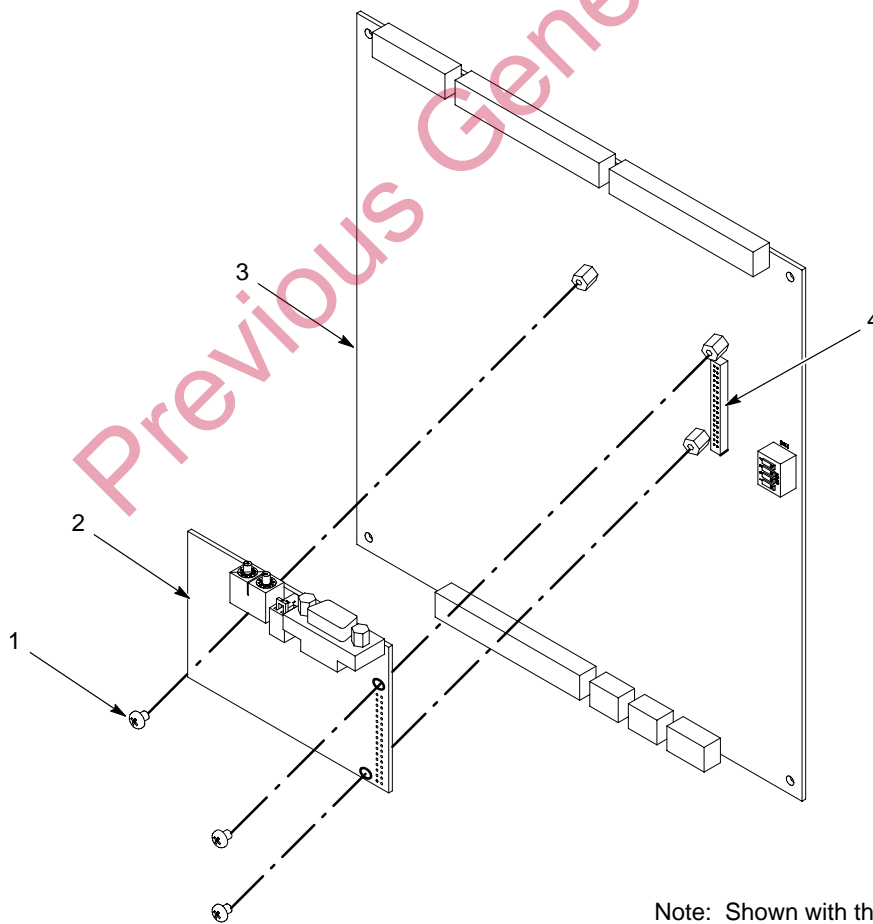
# Anybus® Module Configuration

## Installation

The Anybus module is a slave device available for Profibus®, DeviceNet™, or Ethernet/IP™.

See Figure 1.

1. Remove the three screws (1) from the PCA (3).
2. Insert the module (2) onto the PCA (3) at connector J4 (4).
3. Replace the screws to secure the module to the PCA.



Note: Shown with the Profibus module.

Figure 1 Installing the Module

# Configuring the Module

## Profibus Module

See Figure 2.

The file HMS1003.GSD (downloadable at [www.anybus.com](http://www.anybus.com)) must be loaded into the Profibus-DP master for it to recognize the Anybus module. Also, the Profibus network address of the Anybus module must be determined and set.

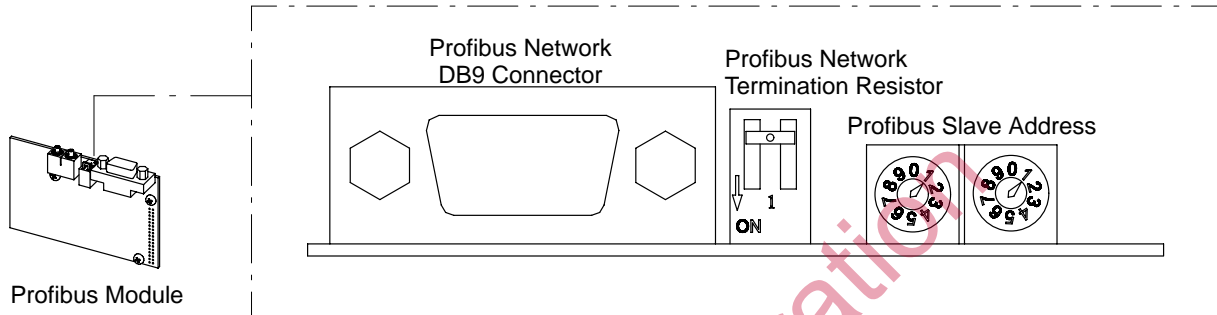


Figure 2 Profibus Configuration Switches

## DeviceNet Module

See Figure 3.

The file EDS\_ABS\_DEV\_V\_2\_3.eds (downloadable at [www.anybus.com](http://www.anybus.com)) must be loaded into the DeviceNet master for it to recognize the Anybus module. Also, the DeviceNet network MAC ID of the Anybus module must be determined and set.

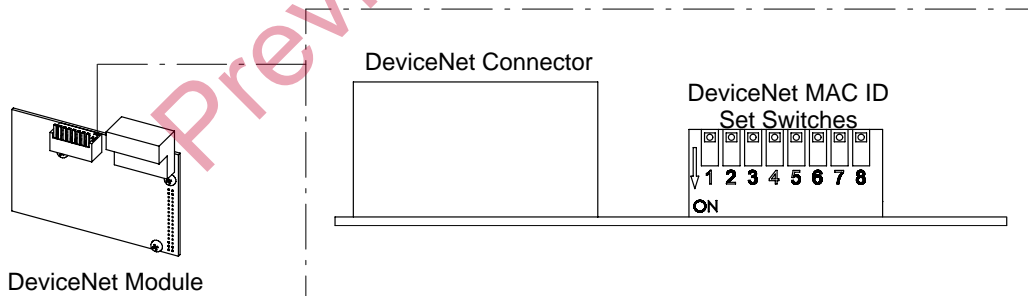


Figure 3 DeviceNet Configuration Switches

## Ethernet/IP Module

See Figure 4.

The file 73-9599-EDS\_ABS\_EIP\_V\_1\_9.eds (downloadable at [www.anybus.com](http://www.anybus.com)) must be loaded into the Ethernet/IP master/scanner for it to recognize the Anybus module.

Also, the IP address of the Anybus module must be determined and set. It is recommended to set all the DIP switches on the Anybus card to OFF, and to set the IP address of the module using the Anybus IPConfig software tool. This utility can be downloaded from [www.anybus.com](http://www.anybus.com).

The 4-byte IP address should have the same network address (first 3 bytes) as the rest of the Ethernet network to which the Anybus module is connected, and then have a unique sub-net address (the least significant byte).

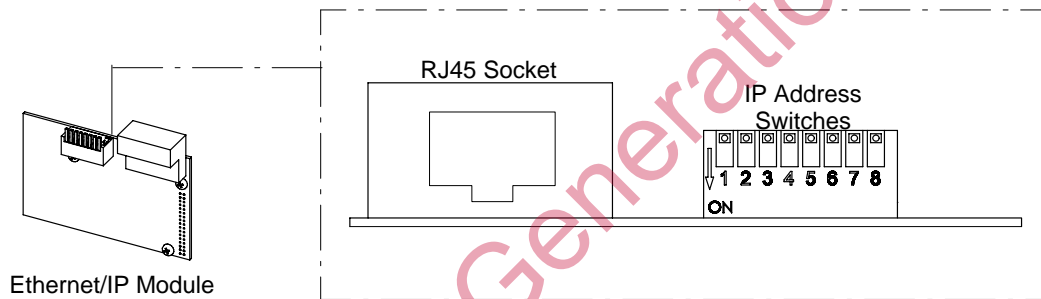


Figure 4 Ethernet/IP Configuration Switches

Previous Generation

Issued 08/09

Original copyright date 2009. Nordson and the Nordson logo are registered trademarks of Nordson Corporation.

Anybus is a registered trademark of HMS Industrial Networks, Inc.

Profibus is a registered trademark of Profibus International.

DeviceNet is a trademark of ODVA, Inc.

Ethernet/IP is a trademark of ControlNet™ International and ODVA, Inc.

ControlNet is a trademark of ControlNet™ International, Ltd.

Sycon is a registered trademark of Hilscher GmbH.