

# LCD Replacement Prodigy<sup>®</sup> Manual Controller



**WARNING:** Repair of this equipment shall be carried out by suitably trained personnel in accordance with the applicable code of practice. EN60079-19.



**CAUTION:** The circuit boards and keypad panel are electrostatic-sensitive devices (ESD). Wear a grounding strap when removing and installing them. Failure to heed this caution could result in static discharges and equipment damage.

Use this instruction sheet with 1091172 Kit, LCD, Graphical, 128 x 240.

1. See Figure 1. Remove the 8 screws from the rear cover and remove the cover. Disconnect the ground wire from the cover to move the cover out of the way.

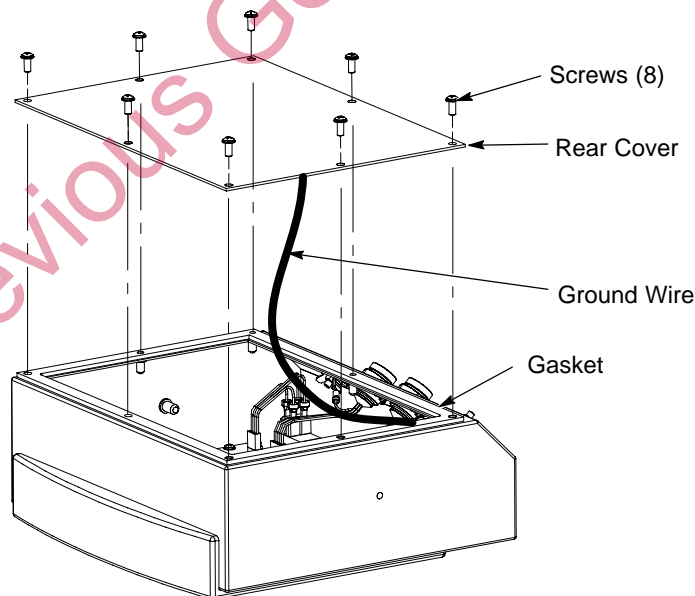


Figure 1 Removing rear cover

2. See Figure 2. Disconnect all wire harness connected to the circuit board. Note where each harness is connected so they can be properly reconnected.
3. Remove the 4 screws holding the circuit board to the keypad.
4. Using proper PCB handling techniques place the PCB LCD side up on a clean flat surface.

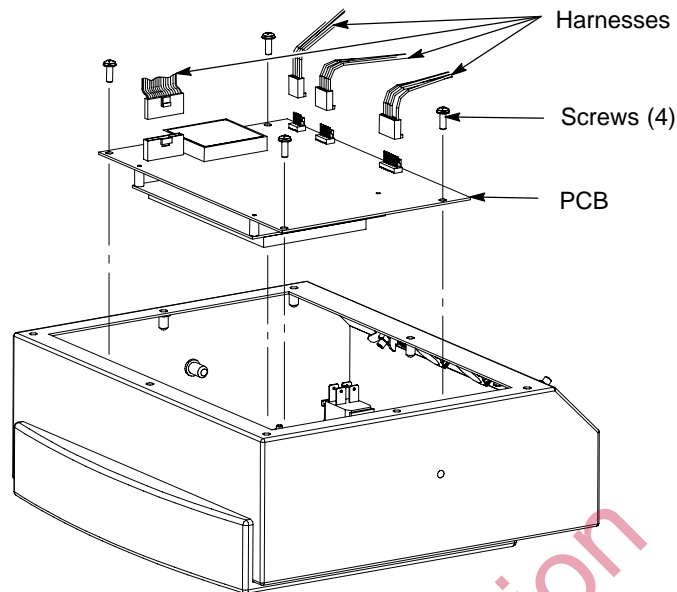


Figure 2 Disconnecting harnesses and removing PCB

5. See Figure 3. Remove the 4 screws holding the LCD display to the circuit board.
6. Carefully pull the LCD display off the circuit board.

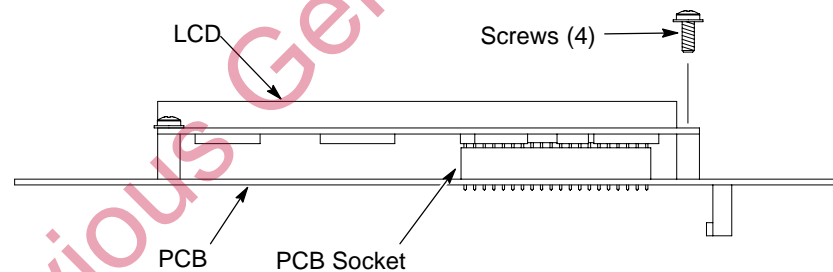


Figure 3 Disconnecting LCD from PCB

7. Remove the new LCD display from the anti static protective bag.
8. Line up the LCD pins with the PCB socket and press gently to connect the LCD to the PCB.
9. Secure the LCD to the PCB with the 4 mounting screws removed earlier.
10. Remove any protective covering from the face of the LCD screen.
11. Install the PCB in the enclosure and secure it with the 4 screws.
12. Reconnect the wiring harnesses to the PCB.
13. See Figure 1. Make sure the gasket is undamaged. Install the rear cover, connecting the ground wire to the spade terminal on the cover.
14. If necessary, adjust the contrast of the new LCD, using the Options menu under the Tool menu.

Issued 9/08

Original copyright date 2008. Prodigy, Nordson, and the Nordson logo are registered trademarks of Nordson Corporation.