

Single Gauge/Regulator Module

1. Description



WARNING: Review the *Safety* sections in your gun, power supply, or booth manuals before installing or operating your system. Familiarity with the safety precautions you should observe when operating an electrostatic powder spray system is essential for your safety.



WARNING: All conductive equipment in the spray area must be connected to a true earth ground. Ungrounded or poorly grounded equipment in a powder spray area can become electrically charged. This charge can deliver a severe shock or create sparks hot enough to cause a fire or explosion.

This instruction sheet covers the Nordson single gauge/regulator pneumatic control module. It is typically used on Nordson mobile powder systems, equipped with an electric vibratory box feeder and transfer pump, to provide and control air to the pump.

Specifications	
Maximum input air pressure	7 bar (100 psi)
Input (threaded bulkhead fitting)	1/4-in. NPT
Output (quick-disconnect elbow fitting)	10-mm tubing
Grounding	Ground stud connection

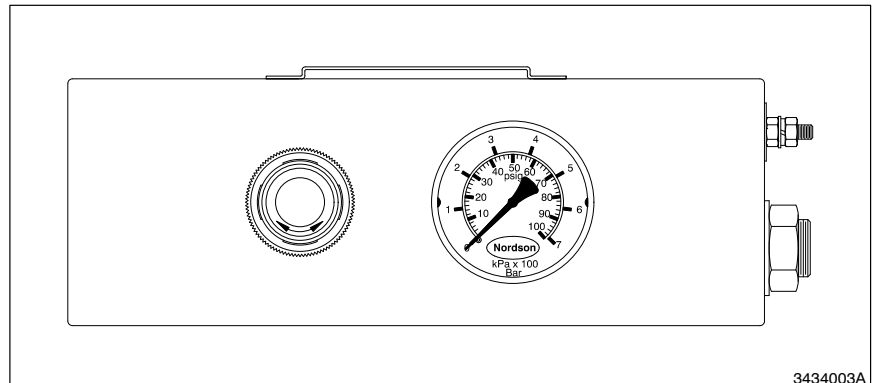


Fig. 1 Single Gauge/Regulator Module

2. Parts

Use this instruction sheet to order replacement parts for the module. Other components of your system are covered in separate instruction sheets or manuals.

See Figure 2.

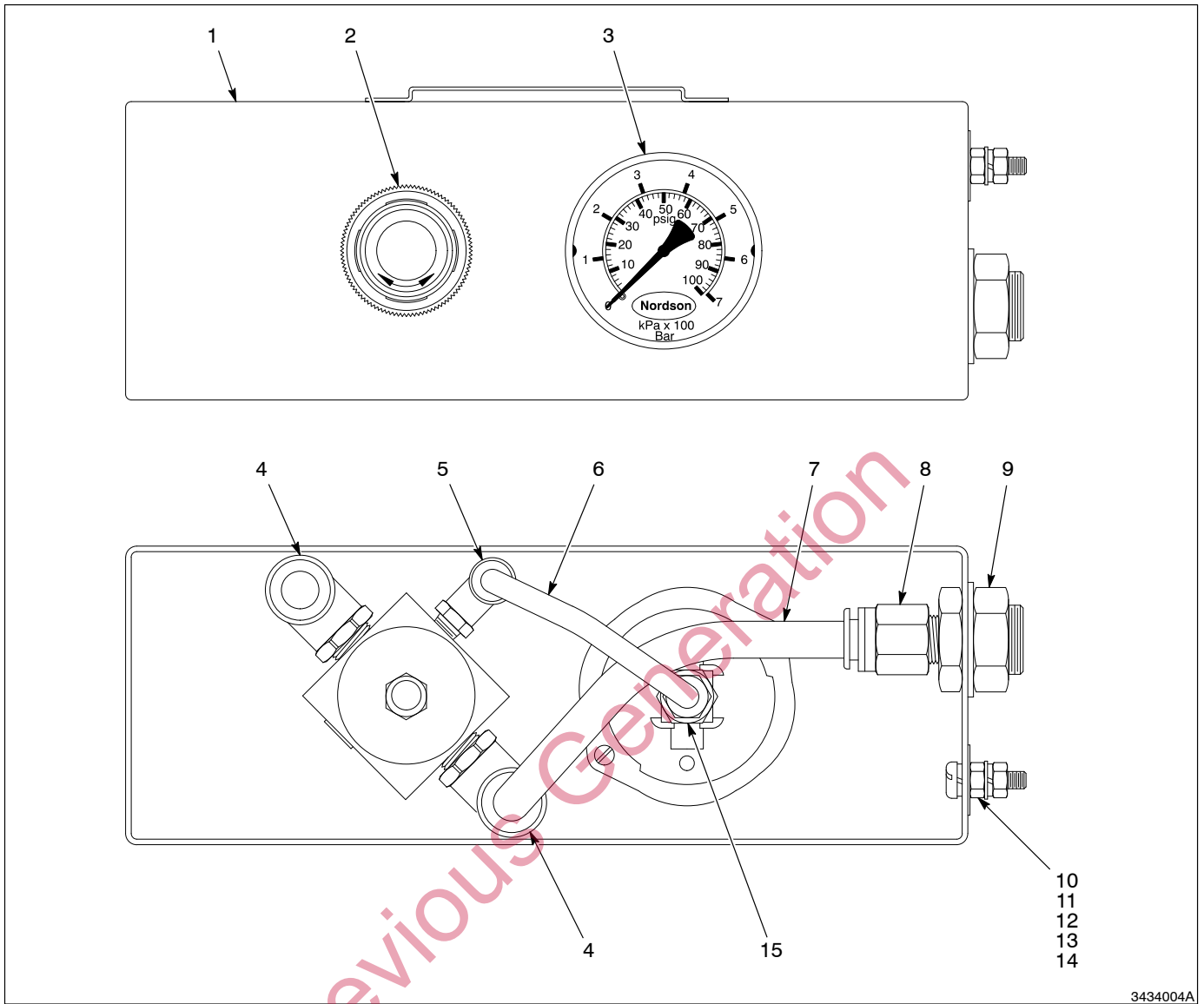
Item	Part	Description	Quantity	Note
—	164590	Module, one gauge/regulator	1	
1	-----	• Enclosure, gauge/regulator	1	
2	901444	• Regulator, air, 5–125 psi, 1/4 NPT	1	
3	226715	• Gauge, air, 0–100 psi, 0–7 bar/kPa	1	
4	972125	• Elbow, male, 10 mm tube x 1/4 RPT	2	
5	972126	• Elbow, male, 6 mm tube x 1/8 RPT	1	
6	900586	• Tubing, polyurethane, 6 mm OD x 4 mm, blue	AR	A
7	900740	• Tubing, polyurethane, 10 mm OD x 6.5–7 mm	AR	A
8	972841	• Connector, male, 10 mm x 1/4 RPT	1	
9	973968	• Adapter, bulkhead, 1/4 in. NPT	1	
10	982136	• Screw, pan head, slotted, M5 x 16, brass	1	
11	983401	• Washer, lock, split, M5, zinc	2	
12	240674	• Tag, ground	1	
13	984702	• Nut, hex, M5, brass	2	
14	983021	• Washer, flat, 0.203 x 0.406 x 0.040 in.	1	
15	972157	• Connector, female, 6 mm x 1/8 RPT	1	
NS	900236	• Sealant, paste, PTFE	AR	B

NOTE A: Order in increments of 1 foot.

B: Use on fitting threads

AR: As Required

NS: Not Shown



3434004A

Fig. 2 Single Gauge/Regulator Module Parts

Original copyright date 1994. Nordson and the Nordson logo are registered trademarks of Nordson Corporation.

Previous Generation