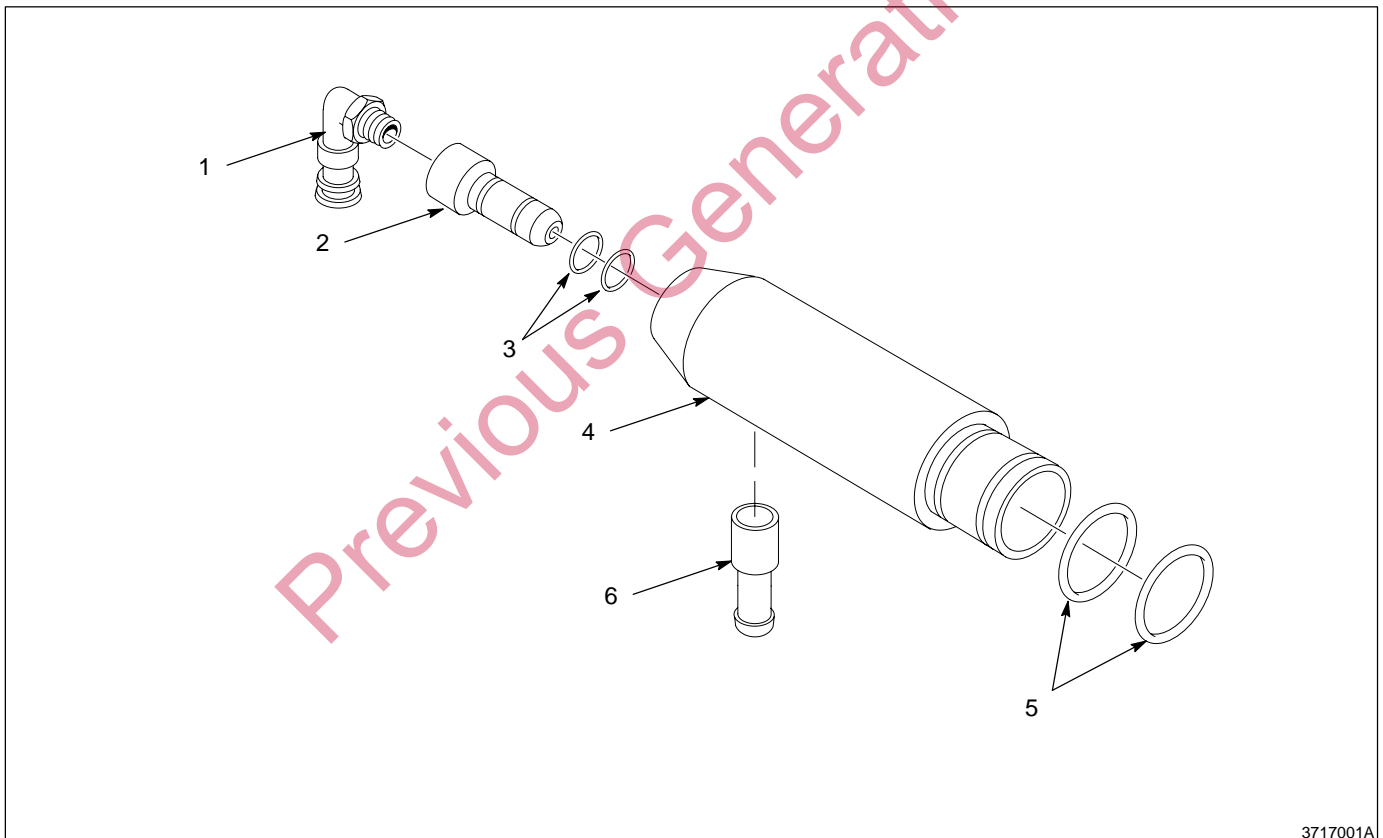


Tribomatic® Generation 3 Automatic Gun Diffuser

1. Installation

See Figure 1. Follow these guidelines when installing the Tribomatic generation 3 automatic gun diffuser. Refer to *Parts* for part number information for additional components listed.

- When installing the diffuser on a Tribomatic automatic powder spray gun, install a generation 3 powder pump.
- The generation 3 gun diffuser can be directly connected to the end of Tribomatic charge tubes.



3717001A

Fig. 1 Tribomatic Generation 3 Automatic Gun Diffuser

1. Air fitting
2. Nozzle

3. Nozzle O-rings
4. Diffuser housing

5. Housing O-rings
6. Connector

2. Parts

Use the following lists to order components and replacement parts for the Tribomatic generation 3 automatic gun diffuser.

Diffuser

See Figure 1.

Item	Part	Description	Quantity	Note
—	635 005	Diffuser, generation 3 Tribomatic	1	
1	630 035	• Fitting, air	1	
2	635 007	• Nozzle, diffuser, generation 3	1	
3	940 117	• O-ring, silicone, 0.312 x 0.438 x 0.063 in.	2	
4	635 008	• Housing, diffuser, generation 3	1	
5	630 025	• O-ring, pump, diffuser	2	
6	635 006	• Connector, diffuser, generation 3	1	

Charge Tubes

Use the following list to order replacement charge tubes.

Part	Description	Note
630 015	Charge tube, Tribomatic, replacement	
630 014	Charge tube, Tribomatic	

Original copyright date 1991. Nordson, the Nordson logo, and Tribomatic are registered trademarks of Nordson Corporation.