

100 PLUS Powder Pump Low-Flow Conversion Kits

Description

Low-flow pumps are used when powder flow rates below 10 kg/hr (22 lbs/hr) are desired. Refer to the 100 PLUS powder pump manual 104361 for the recommended flow-rate air and atomizing air pressures.

Use these kits to convert a standard 100 PLUS Powder Pump to a low-flow pump.

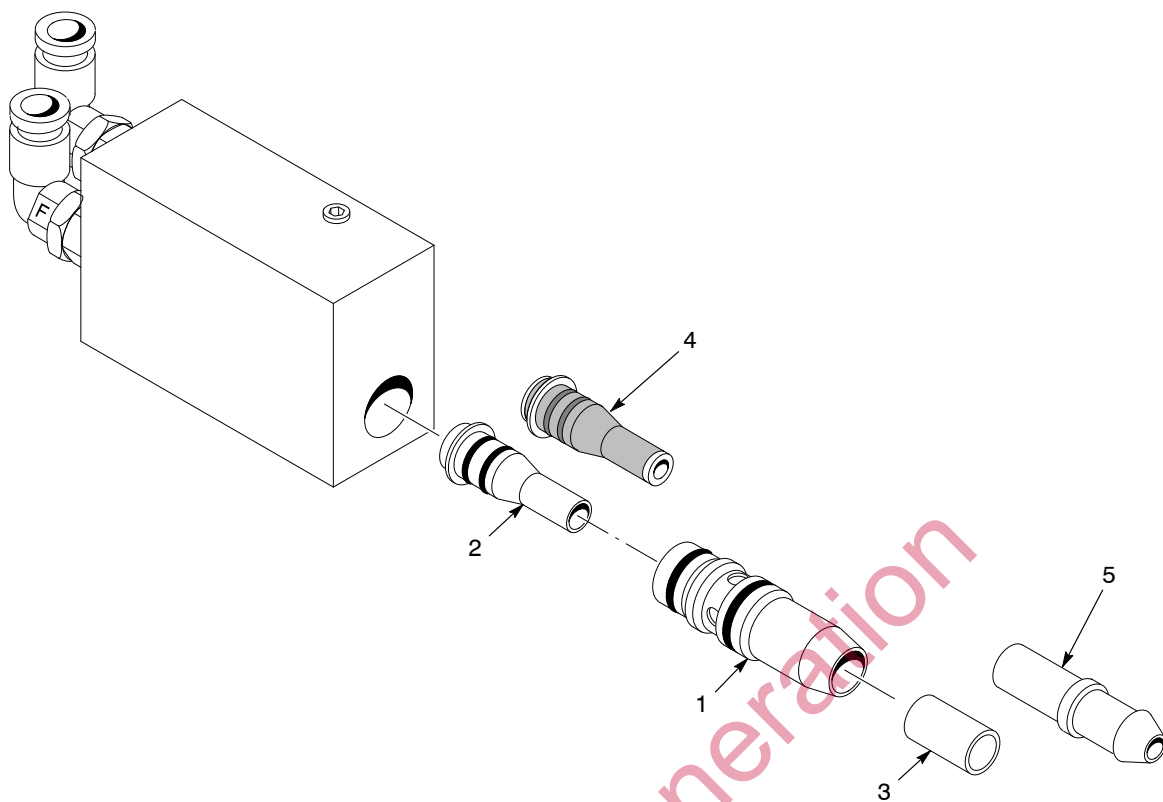
Kit	Description
114217	Includes the parts required to convert a standard-flow pump to a low-flow pump. No adapter or mounting parts are included.
118743	Includes both the parts required to convert a standard-flow pump to a low-flow pump and the mounting parts for installing the converted pump on Nordson 50 lb HRS-1 and HRS-2 hoppers.

NOTE: To obtain an even powder flow, use $\frac{3}{8}$ in. ID powder feed tubing with low-flow pumps.

Pump Conversion

See Figure 1. Use this procedure with either conversion kit.

1. Disconnect the air tubing and feed hose from the pump.
2. Remove the pump from the pump mounting.
3. Blow out the pump with low-pressure compressed air.
4. Pull the throat holder (1) out of the pump.
5. Remove the standard venturi throat (2) and wear tube (3) from the throat holder.
6. Install the low-flow throat (4) and the low-flow hose connector (5) into the throat holder.
7. Install the throat holder into the pump.



1400942B

Figure 1 Low-Flow Pump Conversion

- | | | |
|----------------------------|----------------------------|----------------------------|
| 1. Throat holder | 3. Standard wear tube | 5. Low-flow hose connector |
| 2. Standard venturi throat | 4. Low-flow venturi throat | |

Completing Kit 114217 Installation

See Figure 2. Use these steps to complete the installation of conversion kit 114217.

1. Replace the standard pick-up tubing with the 18-in. length of $\frac{3}{8}$ in. ID hose (6) included with the kit. Use a snap clamps (included with the kit) to secure the hose.
2. Replace the $\frac{1}{2}$ in. ID powder feed hose used with the standard pump with $\frac{3}{8}$ in. ID hose (part 900649, not included with the kit, order length required in one foot increments). Use a snap clamp (included with the kit) to secure the hose.

Completing Kit 118743 Installation

See Figure 3. Use these steps to complete the installation of conversion kit 114217.

1. Remove the pump adapter parts and single or multiple pump mounting parts.
2. Block any unused holes in the hopper lid.
3. Install the O-rings (3, 6, 10) on the new pump mount (8).
4. Install the pump adapter on the hopper lid and secure it in place with the retaining nut (9).
5. Screw the threaded pick-up tube (7) into the adapter.
6. Replace the $\frac{1}{2}$ in. ID powder feed hose used with the standard pump with $\frac{3}{8}$ in. ID hose (part 900649, not included with the kit, order length required in one foot increments). Use a snap clamp (included with the kit) to secure the hose.

Previous Generation

Parts

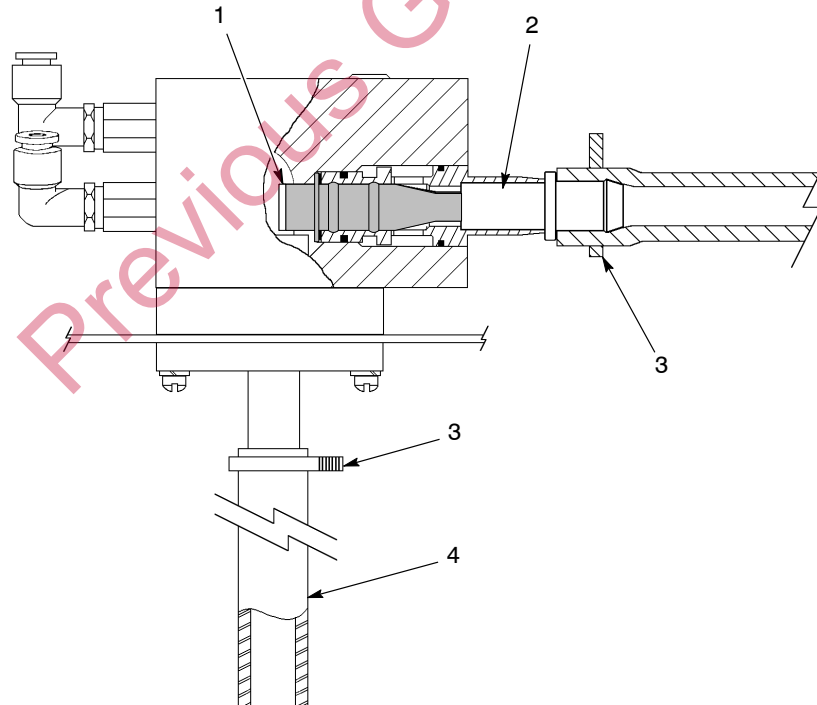
For parts or technical support, call the Nordson Finishing Customer Support Center at (800) 433-9319 or contact your local Nordson representative.

Low-Flow Kit 114217

See Figure 2.

Item	Part	Description	Quantity	Note
—	114217	Kit, pump, powder, low-flow	1	
1	1064257	• Throat, venturi, low-flow, SMART™	1	A
2	139943	• Connector, pump, powder	1	
3	939247	• Clamp, hose, snap-it	2	
4	900649	• Tubing, powder, 9.5 mm, (0.37 in.), blue	1.5 ft	
NS	247006	• Clamp, hose, 0.063–0.795 in. OD	2	B

NOTE A: Optional throats listed on page 6.
 B: Use these clamps with the thick-wall, black powder tubing part 900549.
 NS: Not Shown



3213002C

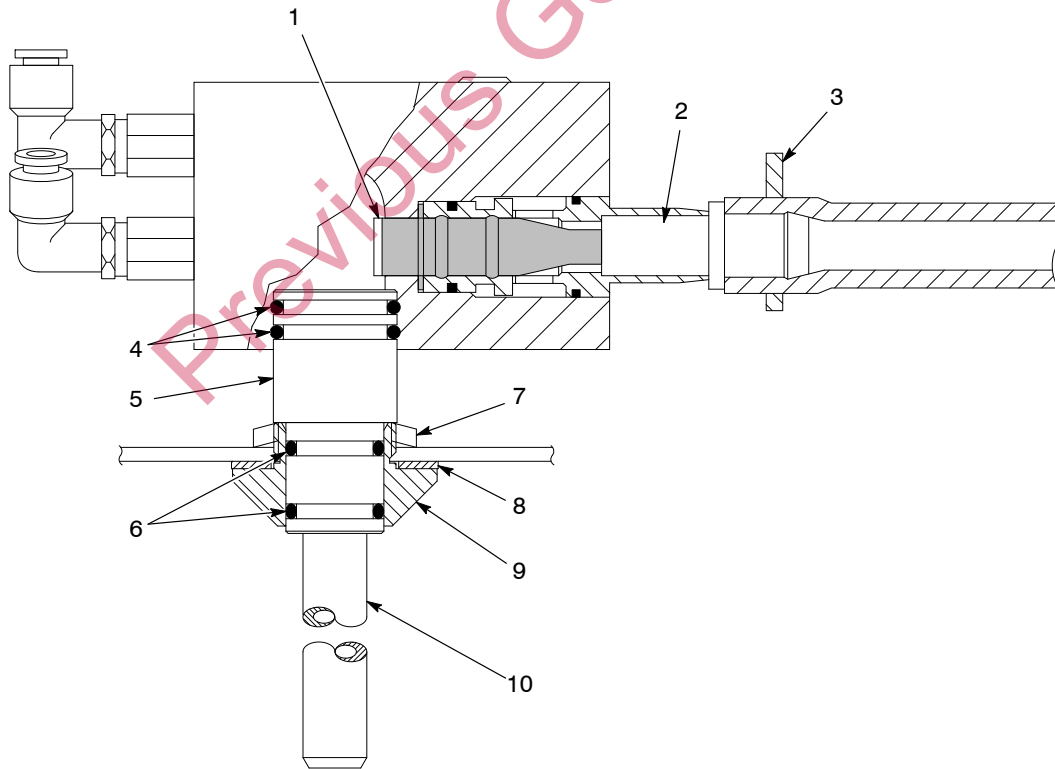
Figure 2 Low-Flow Conversion Kit 114217

Low-Flow Kit 118743

See Figure 3.

Item	Part	Description	Quantity	Note
—	118743	Service kit, pump powder	1	
1	1064257	• Throat, venturi, low-flow, SMART™	1	A
2	139943	• Connector, pump, powder	1	
3	939247	• Clamp, hose, snap-it	1	
—	163555	• Tube, pick-up, w/adaptor, 50 pound, packaged	1	
4	941185	• • O-ring, silicone, conductive, 0.875 x 1.0625 x 0.094 in.	2	
5	152227	• • Adapter, pump	1	
6	941145	• • O-ring, silicone, conductive, 1.0625 x 0.625 x 0.094 in.	2	
7	939613	• • Locknut, conduit	1	
8	983055	• • Washer, pump	1	
9	164063	• • Mount, pump	1	
10	164065	• • Tube, pick-up, 50 pound	1	

NOTE A: Optional throats listed on page 6.



3213003C

Figure 3 Conversion Kit 118743

Optional Low-Flow Venturi Throats

Part	Description	Quantity	Note
109101	THROAT, venturi, PTFE, low-flow	1	
986100	• RING, retainer, external, 50 inverted	1	
940126	• O-RING, silicone, 0.375 x 0.050 x 0.063 in.	2	
114219	THROAT, venturi, Tivar, low-flow	1	
986100	• RING, retainer, external, 50 inverted	1	
940126	• O-RING, silicone, 0.375 x 0.050 x 0.063 in.	2	

Previous Generation

Issued 8/05

Original copyright date 1989. Nordson and the Nordson logo are registered trademarks of Nordson Corporation.

Tivaris a registered trademark of Poly-Hi Corporation.