

Corona Cup Gun Kit

1. Introduction

The Corona Cup Gun Kit was designed to easily attach onto your corona gun without dismantling the gun. The cup gun kit is perfect for testing a new powder, color, or for coating a small object when a full hopper is unnecessary.

2. Installation

Follow these steps to install the Corona Cup Gun Kit.

See Figure 1.

1. Remove the lid (8) from the funnel (9). Inside the funnel you will find a plastic screw (3) a wing nut (4) and two $\frac{1}{4}$ inch tube fittings.

NOTE: The two $\frac{1}{4}$ inch tube fittings are optional and should be used if you have an older control unit with $\frac{1}{4}$ inch tube fittings and $\frac{1}{4}$ inch OD tubing for atomizing and flow air. Replace the installed 6 mm metric tube fittings with the $\frac{1}{4}$ inch tube fittings.

2. Remove the hose adapter (1) from your gun .

NOTE: A new hose adapter is included with the cup gun kit and should be used in step 10.

3. Remove the nozzle (16) and the deflector (17) from the gun.
4. Loosen the set screw (14) in the inlet body (15) and remove the inlet body from the gun.
5. Rotate the inlet body 180 degrees so the powder inlet is facing upward. Place the inlet body back onto the gun.
6. Secure the inlet body with the set screw (14).
7. Make sure the wear sleeve is in position and place the nozzle (16) and deflector (17) back onto the gun.
8. Place the pump body (10) onto the hanger (13) so that the hole in the pump body lines up with the hole in the hanger.
9. Secure the pump body with the screw (3) and the wing nut (4). Do not overtighten the wing nut.

2. Installation (contd.)

10. Insert the new hose adapter (1), attached to the short piece of powder tubing into the gun inlet body (15).
11. Insert the atomizing air line into the lower air fitting (12) on the pump body.
12. Insert the flow air line into the upper air fitting (12) connected to the venturi nozzle in the pump.
13. Remove the cap from the bottom of the funnel (9) and push the funnel into the hole in the top of the pump body with a slight twisting motion until the funnel is snug.

3. Operation

Use the following steps to operate the corona cup gun kit.

1. Fill the cup gun funnel with powder coating.
2. Turn the control unit on and adjust the atomizing pressure to 1.7 bar (25 psi).
3. With the flow rate air pressure at zero, trigger the gun and slowly increase the pressure until you reach the desired powder flow.

NOTE: Pressure settings will vary depending upon the powder type and spraying conditions.

4. Cleaning



CAUTION: During cleaning with compressed air, steps should be taken to prevent powder from being blown back into the control gauges and regulators.

NOTE: Turn the electrostatics off and set the flow air and atomizing air pressures at 3.4 bar (50 psi) before triggering the gun to clean. This will prevent powder from migrating back into the controls.

Use an air gun to clean out the cup gun after use.

5. Parts

See Figure 1.

Use this list to order parts for the Corona Cup Gun Kit.

Item	Part	Description	Quantity	Note
—	183 468	Kit, cup gun, corona	1	
1	135 896	• Adapter, hose, low-flow, w/O-ring	1	
NS	940 163	• • O-ring, 0.625 x 0.75 x 0.063	1	
2	900 649	• Tubing, powder, 9.5 mm (0.37 in.), blue	AR	
3	183 470	• Screw, hex, nylon, M8 x 35	1	
4	183 471	• Nut, wing, nylon, M8	1	
5	183 463	• Throat, venturi, w/O-rings	1	
6	940 142	• • O-ring, slcne, 0.50 x 0.625 x 0.063	1	
7	940 126	• O-ring, slcne, 0.375 x 0.50 x 0.063	3	
8	183 453	• Lid, funnel cup gun	1	
9	183 451	• Funnel, molded, cup gun	1	
10	183 452	• Body, pump, cup gun	1	
11	183 462	• Nozzle, venturi, cup gun	1	
12	183 456	• Fitting, swv, el, 6 mm TBG x 1/8 BPST	2	
NS	971 675	• Fitting, swvl, ELB, 1/4 TB x 1/8 NPT	2	
NS	900 784	• Cap/Plug, tapered, 0.485 OD	1	
NS	183 464	• Kit, funnel, w/lid and cap	AR	
AR: As Required				
NS: Not Shown				

5. Parts (contd.)

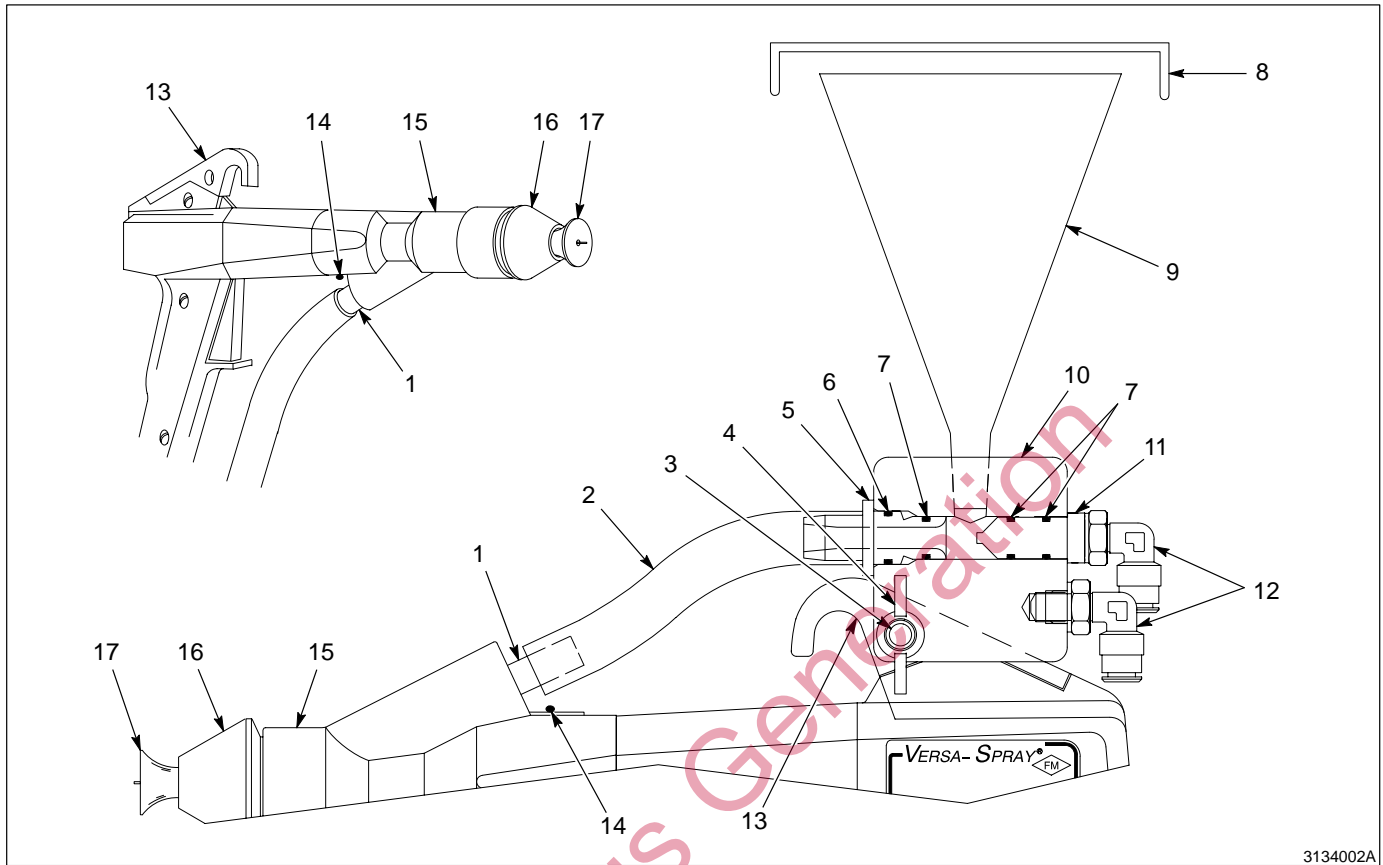


Fig. 1 Corona Cup Gun Kit

Nordson and the Nordson logo are registered trademarks of Nordson Corporation.