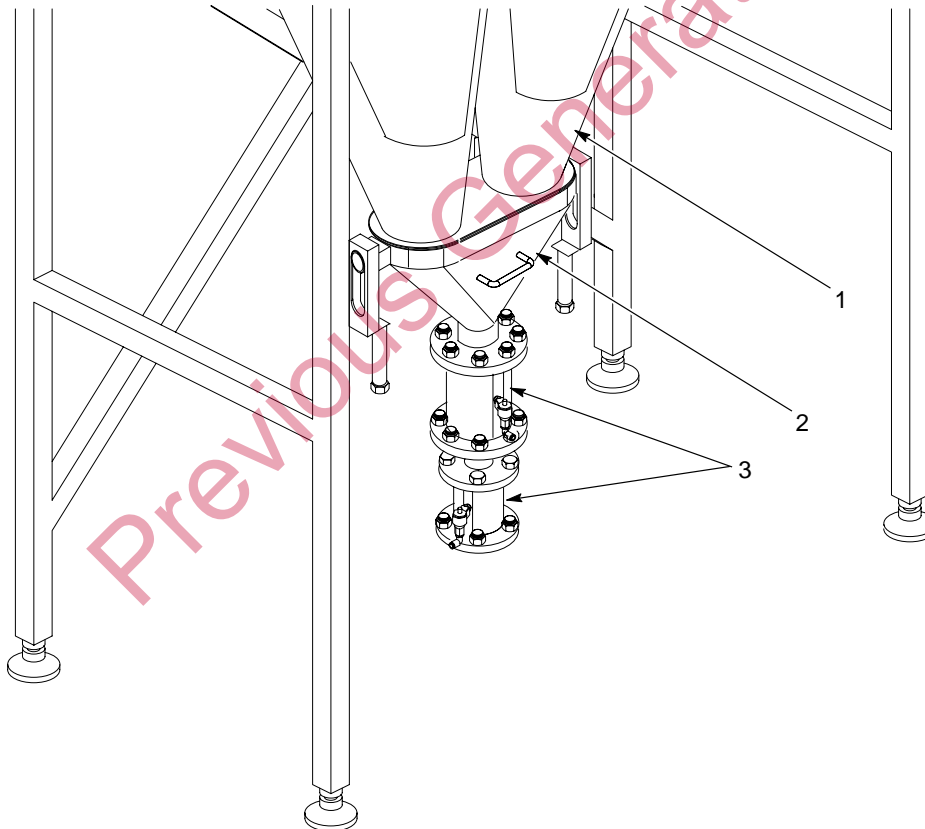


Pinch Valve Powder Transfer System

Description

See Figure 1. The Pinch Valve Powder Transfer System is an optional component of the Spectrum II Powder Feed Center.

Reclaimed powder is separated from the exhaust air by the cyclones (1) and collected in the hopper (2). The pinch valves (3) alternately open and close, forcing the powder through a transfer hose to the feed center's sieve.



1401629A

Figure 1 Pinch Valve Powder Transfer System

1. Cyclones

2. Hopper

3. Pinch valves

Parts

Pinch Valve System Assembly

See Figure 2.

Item	Part	Description	Quantity	Note
—	1052397	ASSEMBLY, hopper, 9000/11250/15750, with pinch valve	1	
1	1052413	• GASKET, rubber, vinyl, 0.438 in., hopper	1	
2	-----	• ROLLER, ³ / ₄ -in. stud, track	2	
3	-----	• SADDLE, cyclone hopper pan	2	
4	-----	• TRACK, cyclone, hopper pan	2	
5	1052410	• NUT, cylinder, hopper	2	
6	1010671	• VALVE, flow control, inline	4	
7	1010670	• CYLINDER, air, stainless steel	2	
8	972615	• MUFFLER, filter, ¹ / ₄ -in. NPT	2	
9	901262	• VALVE, exhaust	2	
10	972126	• CONNECTOR, male, elbow, 6-mm tube x ¹ / ₈ -in. universal	5	
11	1052415	• CONNECTOR, male, straight, 10 mm x ¹ / ₈ -in.	2	
12	-----	• CHAMBER, valve, pinch	1	
13	-----	• VALVE, pinch, 50 mm	1	A
14	-----	• OUTLET, pinch valve, short	1	
15	-----	• VALVE, pinch, 80 mm	1	A
16	-----	• HOPPER, 9000/11250/15750, with pinch valve flange	1	
NS	1010629	• VALVE, flow control, four output	1	B
NS	900742	• TUBING, polyurethane, 6-mm OD x 4-mm ID, blue	AR	B
NS	1052415	• TEE, connector, 6 mm	2	B
NOTE A: To rebuild a pinch valve, order the appropriate pinch valve sleeve listed below.				
B: Refer to the <i>Lift Cylinder Pneumatic Schematic</i> for the location of these items.				
AR: As Required				
NS: Not Shown				

Pinch Valve Sleeves

See Figure 2. Order these sleeves to rebuild the pinch valves.

Item	Part	Description	Quantity	Note
13	766251	SLEEVE, inner, pinch valve, flange, 50 mm	1	
15	393398	SLEEVE, inner, pinch valve, flange, 80 mm	1	

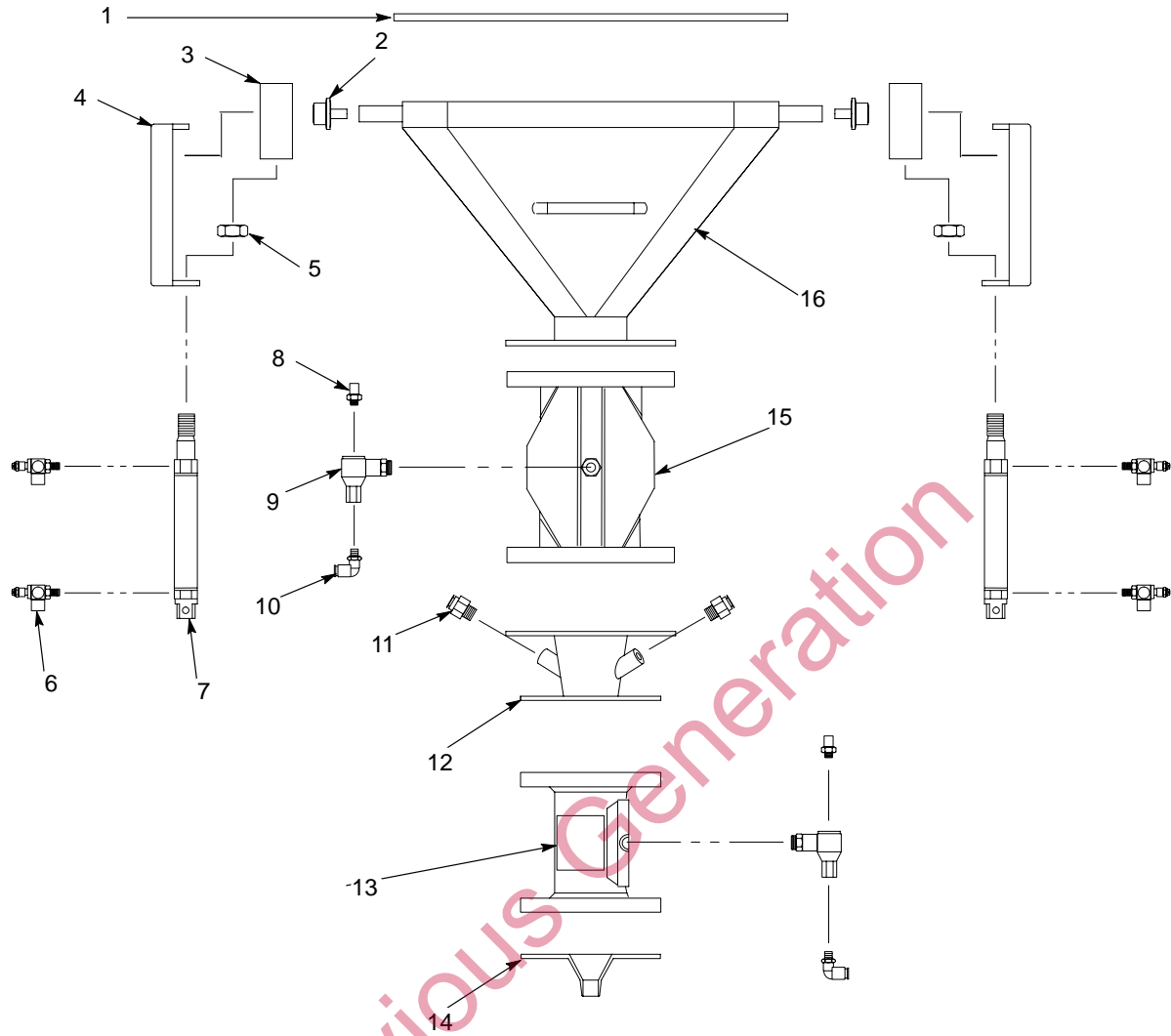
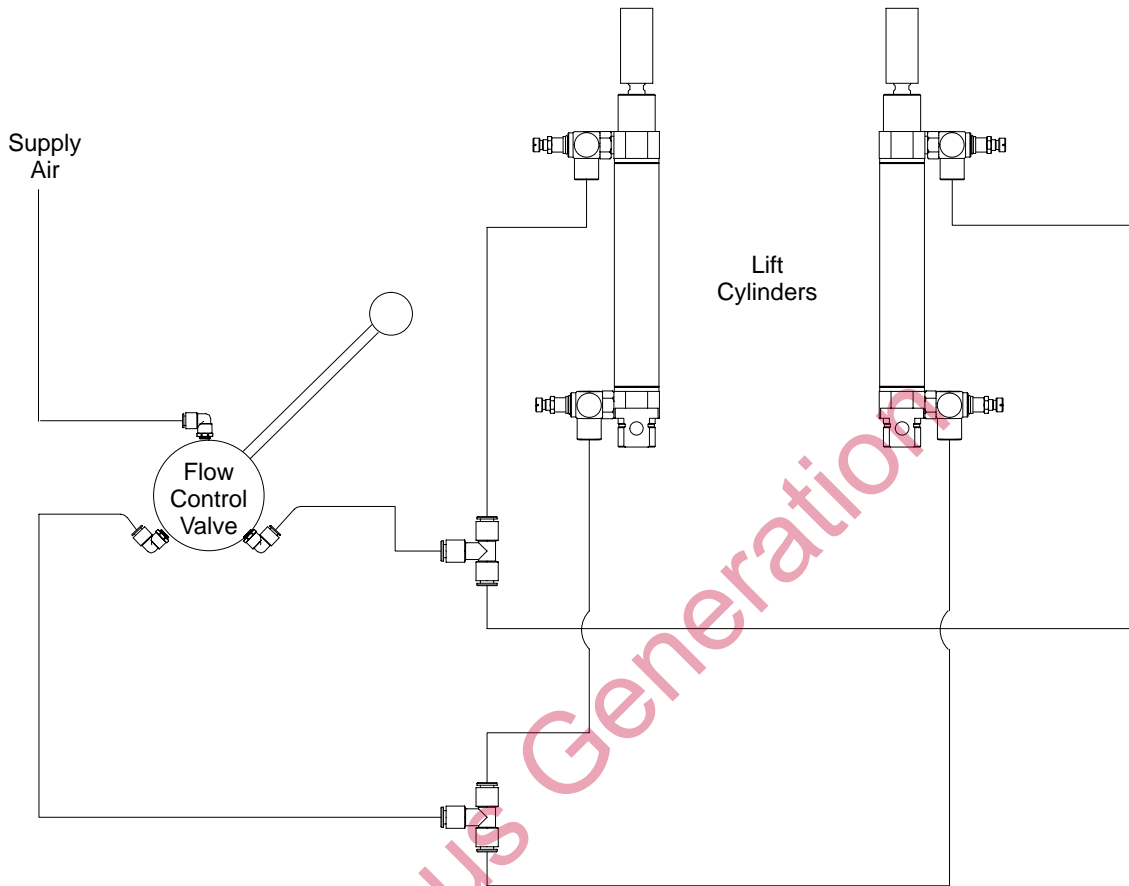


Figure 2 Parts

1401630A

Lift Cylinder Pneumatic Schematic



1401631A

Figure 3 Lift Cylinder Pneumatic Schematic

Previous Generation

Issued 12/05

Original copyright date 2005. Nordson, the Nordson logo, and Spectrum are registered trademarks of Nordson Corporation.