

Tribomatic® Optional Sprayheads and Nozzles

Description

A wide variety of sprayheads and nozzle are available for the Tribomatic and Tribomatic II automatic and manual sprayguns. Use the following tables to select and order the option that is appropriate for your application needs. Contact your Nordson representative for more information.

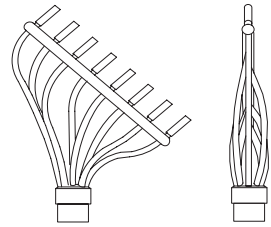
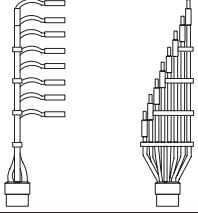
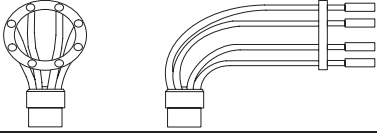
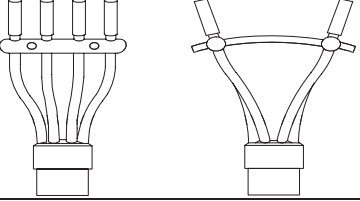
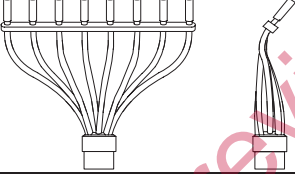
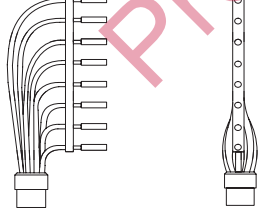
Eight-Tube Sprayheads

NOTE: All the eight-tube sprayheads, except the short sprayhead, part 630010, include the eight-tube cylindrical nozzle, part 630017.

Example	Sprayhead Part	Description
	630006	ADJUSTABLE
	630009	EXPANDABLE
	630010	SHORT
	630330	100 mm, FIXED
	630209	120 mm, FIXED
	630169	160 mm, FIXED
	630201	190 mm, FIXED
	630322	230 mm, FIXED
	630008	260 mm, FIXED
	630184	300 mm, FIXED
	630171	350 mm, FIXED
	630208	420 mm, FIXED
	630323	450 mm, FIXED
630172	500 mm, FIXED	

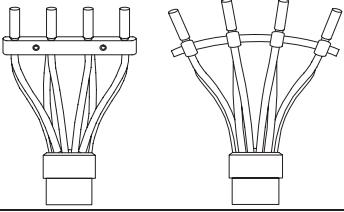
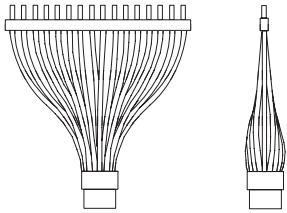
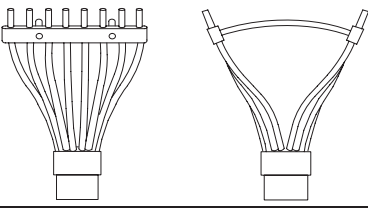
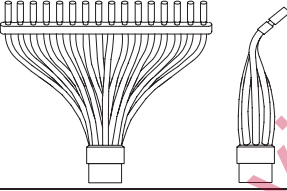
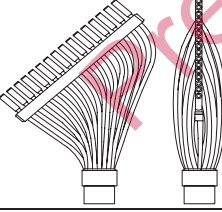
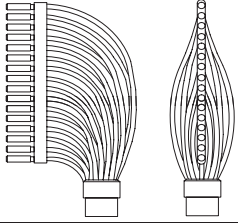
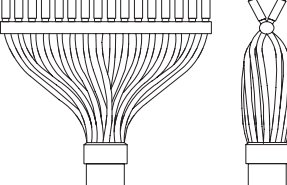
Continued...

Eight-Tube Sprayheads *(contd)*


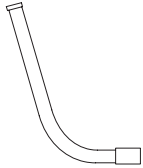


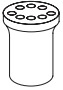



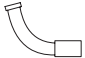

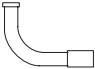

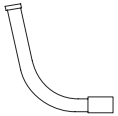
Example	Sprayhead Part	Description
	630320	265 mm, GRADUATED, 45°
	630200	GRADUATED, 90°
	630178	100 mm, ROUND
	630186	70 mm, 2 ROW
	630174	90 mm, 2 ROW
	630328	160 mm, 2 ROW
	630206	260 mm, FIXED, 15°
	630187	270 mm, FIXED, 30°
	630188	260 mm, FIXED, 45°
	630338	200 mm, GRADUATED, 90°
	630327	225 mm, GRADUATED, 90°
	630332	315 mm, GRADUATED, 90°
	630333	370 mm GRADUATED, 90°

Sixteen-Tube Sprayheads





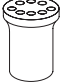
NOTE: All the sixteen-tube sprayheads include the sixteen-tube cylindrical nozzle, part 630340.

Example	Sprayhead Part	Description
	630374	120 mm, 4 ROW, FIXED
	630326	225 mm, FIXED
	630336	260 mm, FIXED
	630363	365 mm, FIXED
	630369	425 mm, FIXED
	630366	515 mm, FIXED
	630325	135 mm, 2 ROW, FIXED
	630361	260 mm, FIXED, 30°
	630341	260 mm, FIXED, 45°
	630344	230 mm, GRADUATED, 45°
	630368	235 mm, GRADUATED, 90°
	630367	390 mm, GRADUATED, 90°
	630362	260 mm, CROSS, 30°
	630360	260 mm, CROSS, 45°
	630371	395 mm, CROSS, 45°

Eight-Tube Sprayhead Nozzles

Example	Nozzle Part	Description	Example	Nozzle Part	Description
	630017	CYLINDRICAL		630093	THREADED D
	630018	FLAT		630182	15°
	630019	8 ORIFICE		630098	30°
	630166	PINPOINT		630096	45°
	630092	THREADED A		630097	90°
	630095	THREADED B		630181	135°
	630094	THREADED C			

Sixteen-Tube Sprayhead Nozzles

Example	Nozzle Part	Description	Example	Nozzle Part	Description
	630340	CYLINDRICAL, 8 mm		630392	PINPOINT, 8 mm
	630391	FLAT		630389	90°
	630390	8 ORIFICE, 8 mm			

Sprayhead Repair Kit

This kit includes all the necessary parts to repair one adjustable eight-nozzle sprayhead, part 630006.

Part	Description	Quantity
630063	Kit, repair, sprayhead, eight-nozzle, adjustable	1
630017	• CYLINDRICAL, Nozzle	16
630092	• THREADED, A, nozzle	2
630093	• THREADED, D, nozzle	2
630094	• THREADED, C, nozzle	2
630095	• THREADED, B, nozzle	2
630096	• 45°, nozzle	2
630097	• 90°, nozzle	6

Previous Generation

Installing Nozzles on Sprayheads

Figure 1 illustrates the various ways in which the nozzles can be installed.

Item	Nozzle	Installation
1	Cylindrical	Install on sprayhead tubing ends or on threaded or angled nozzles. The eight-orifice nozzle must be installed on a cylindrical nozzle. Cylindrical nozzles are also used as connectors.
2	Flat	
3	Pinpoint	
4	Eight-Orifice	
5	Threaded	Use to modify standard sprayheads. They are threaded on one end to screw into the sprayhead base.
6	Angled	Install on existing sprayhead nozzles, using cylindrical nozzles as connectors. These nozzles are not threaded.

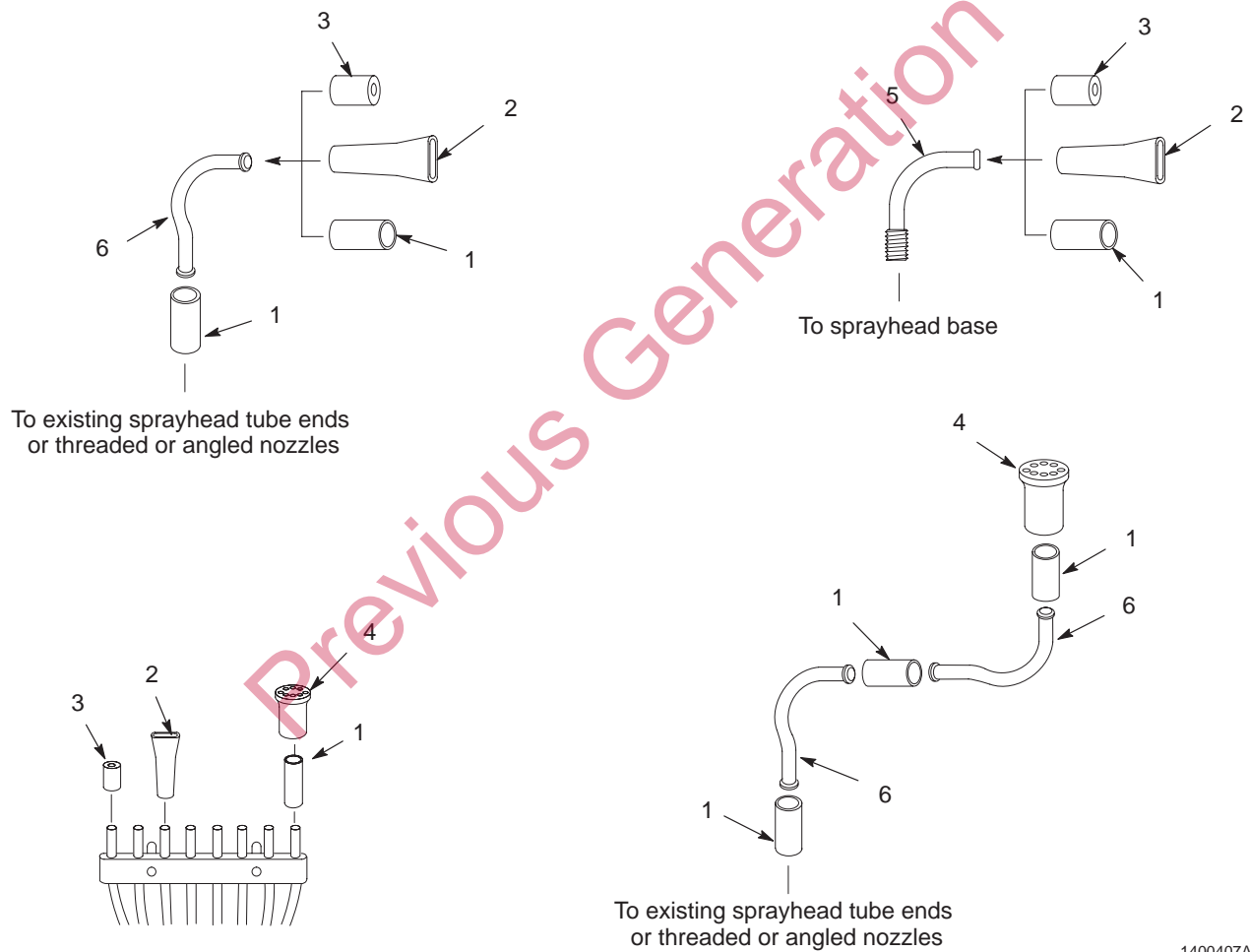


Figure 1 Installing Nozzles on Sprayheads

- | | | |
|------------------------|--------------------------|-----------------------------------|
| 1. Cylindrical nozzles | 3. Pinpoint nozzles | 5. Threaded nozzles |
| 2. Flat nozzles | 4. Eight-orifice nozzles | 6. Angled nozzles without threads |

Issued 4/03

Original copyright date 2003. Nordson, the Nordson logo, and Tribomatic are registered trademarks of Nordson Corporation.