

Rhino[®] SD2/XD2 Drive Train Shroud

Description

The Rhino[®] SD2/XD2 drive train shroud prevents access to the air motor piston rod, hydraulic section plunger rod, and solvent chamber during pump operation.

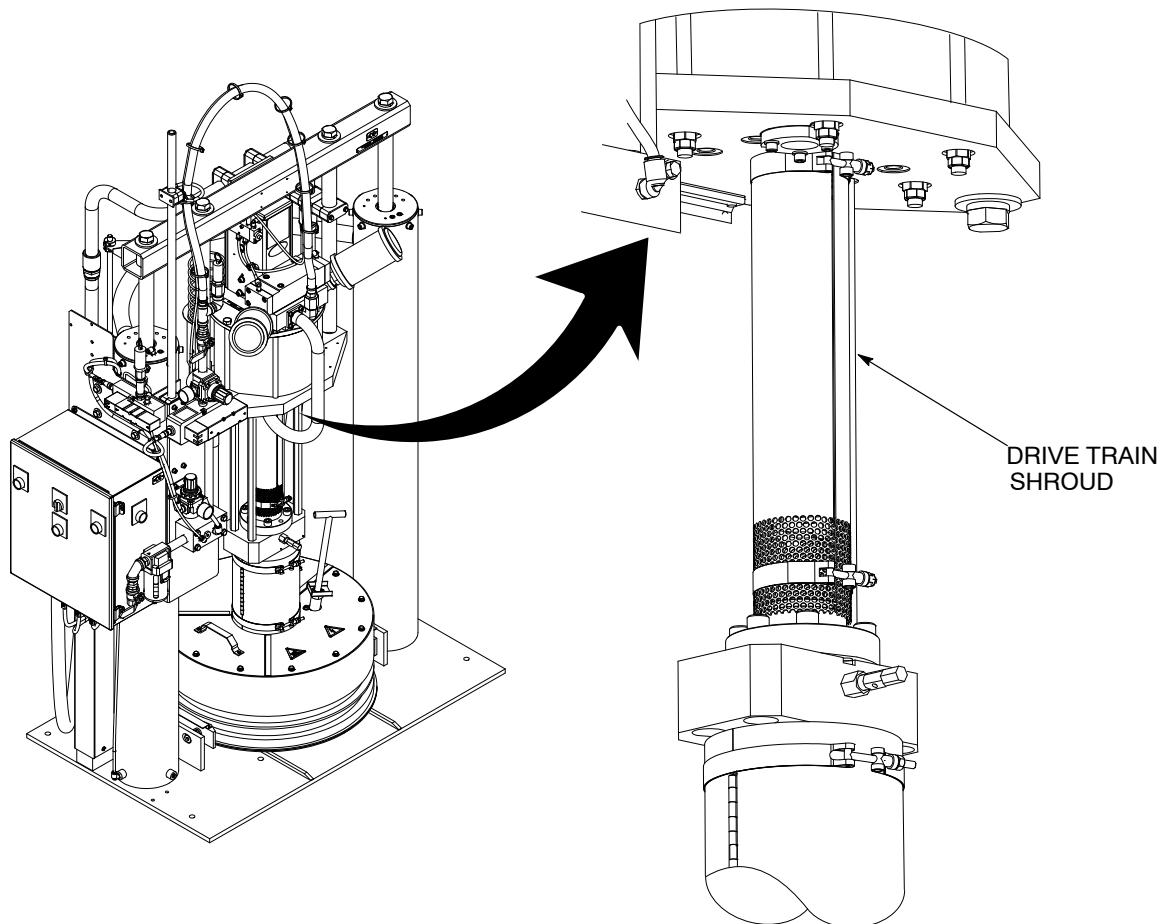


Figure 1 Drive Train Shroud

Installation



WARNING: Allow only qualified personnel to perform the following tasks. Follow the safety instructions in this document and all other related documentation.

See Figure 2.

NOTE: Relieve all pressure to the pump before performing installation procedures.

1. Remove the screws (3) securing the split coupling halves (2) to the floating coupling shaft (4) and plunger rod (5).
2. Move the air motor (1) to the top position.
3. Remove the old solvent chamber (6) and install a new solvent chamber.
4. Reinstall the split coupling halves (2) to the floating coupling shaft (4) and plunger rod (5) with the set screws (3).

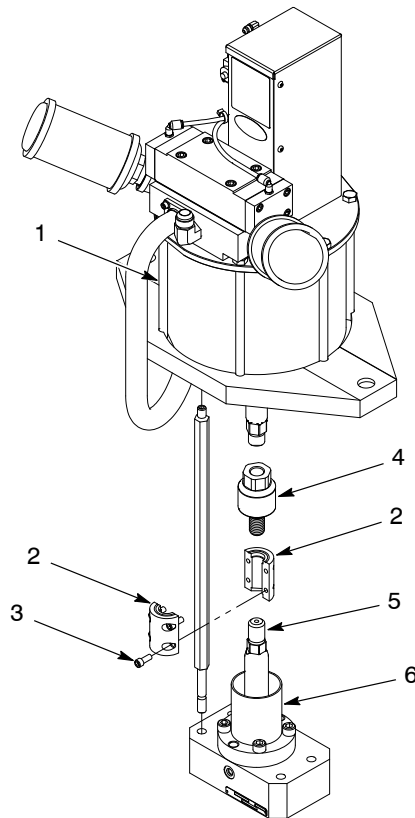


Figure 2 Removing the Split Coupling and Solvent Chamber

NOTE: For clarity, some parts are not shown.

See Figure 3.

5. Install the drive train shroud (8).
6. Tighten the band clamps (7) securely to the drive train shroud (8).

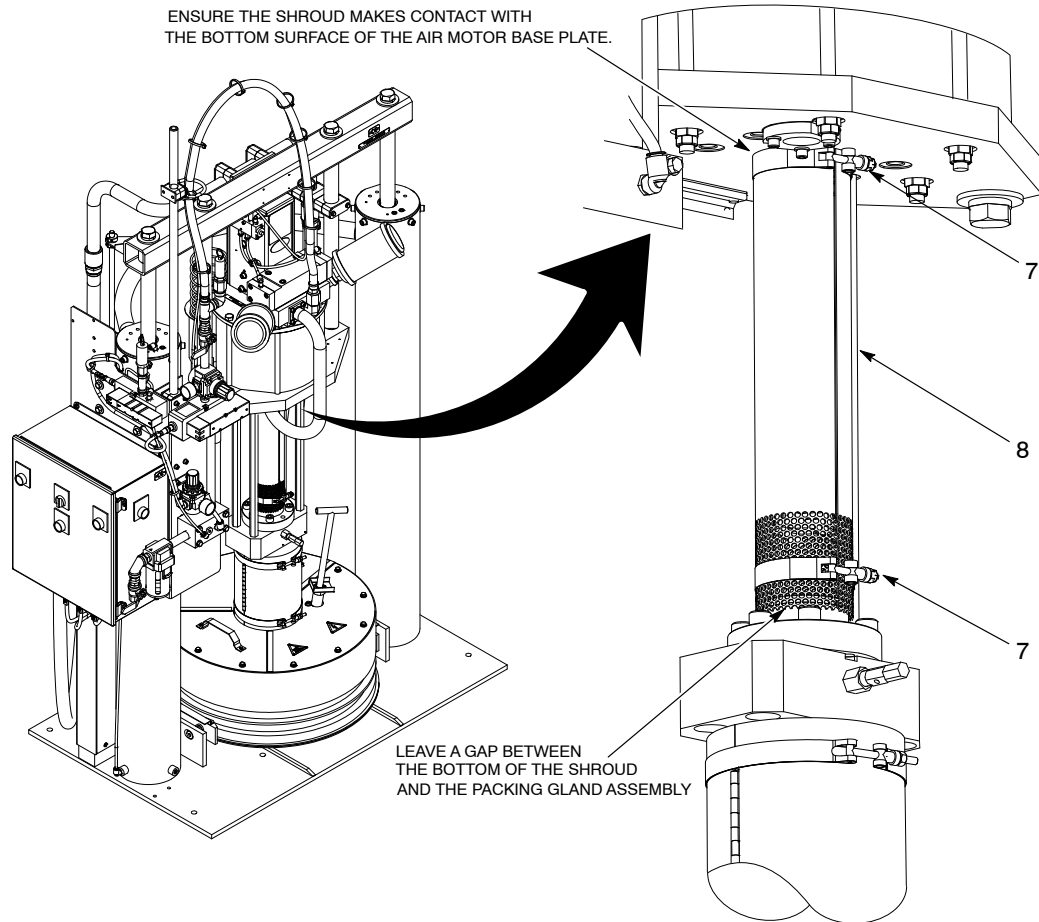


Figure 3 Installing the Drive Train Shroud

Parts

To order parts, contact Nordson customer support at (800) 433-9319 or contact a local Nordson representative.

Part	Description	Note
1097689	KIT, shroud, drive train, SD2, CE, VE	

Issued 8/18

Original copyright date 2018. Rhino, Nordson, and the Nordson logo are registered trademarks of Nordson Corporation.

All other trademarks are the property of their respective owners.