

# 1<sup>1</sup>/<sub>4</sub>-Inch Ball Check Valve

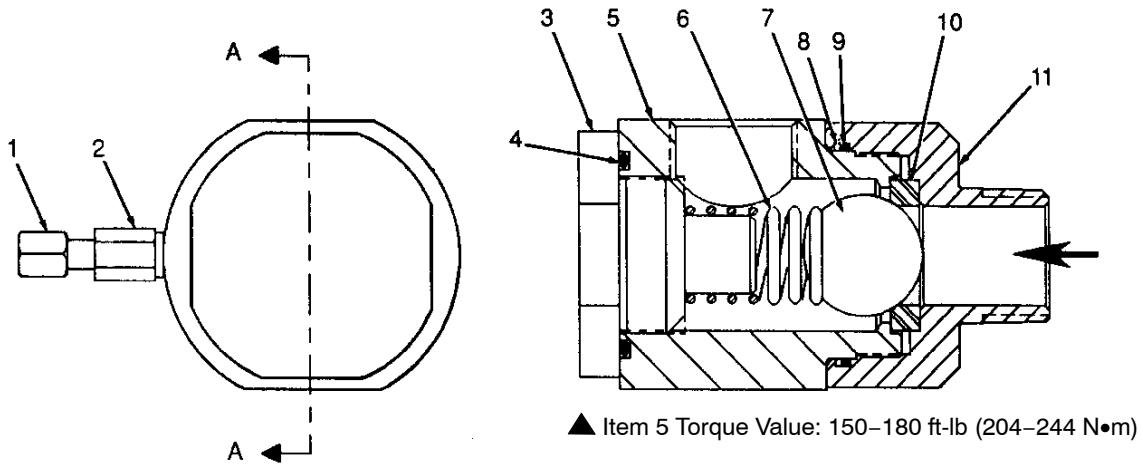
## Features

- Steel black oxide coated
- Replaceable ball and seat
- Bleeder valve
- Three-piece construction for easy cleaning

## Specifications

Item	Specification
Maximum Pressure	6000 psi (413 bar)
Opening Pressure	20 psi (1.4 bar)
Port Sizes	Inlet: 1 <sup>1</sup> / <sub>4</sub> NPTF male Outlet: 1 <sup>1</sup> / <sub>4</sub> NPTF female
Length	6.82 in. (173 mm)
Body Diameter	3.68 in. (93 mm)

# Parts



VIEW "A"

Item	Part	Description	Quantity	Note
—	124935	Valve, check, ball, 1¼ NPTF	1	
1	124697	• Poppet, screw, adjust	1	A
2	124698	• Body, bleeder valve	1	
3	-----	• Head, valve, check, upper	1	
4	942281	• O-ring, Viton, black, 2½ x 2¼ in.	1	B
5	124932	• Body, valve, check, 1¼	1	
6	987066	• Spring, compression, 1.22 in x 2 in. long	1	
7	900006	• Ball, 440 SS, 1.500, 100	1	
8	954019	• Ring, backup, single, 2 9/16	1	
9	941450	• O-ring, Viton, 2.563 x 2.750 in.	1	B
10	124934	• Seat, ball, valve, check	1	
11	124931	• Head, valve, check, lower	1	

NOTE A: Order PTFE tape 902504 to use on threads.  
 B: Order Parker O-ring lubricant 1612251 to lubricate O-rings.

Issued 3/18

Original copyright date 1991. Nordson and the Nordson logo are registered trademarks of Nordson Corporation.

All other trademarks are the property of their respective owners.