



Inverted Dual High-Pressure Fluid Filter Element Replacement

NOTE

The left filter is used as an example for this procedure.

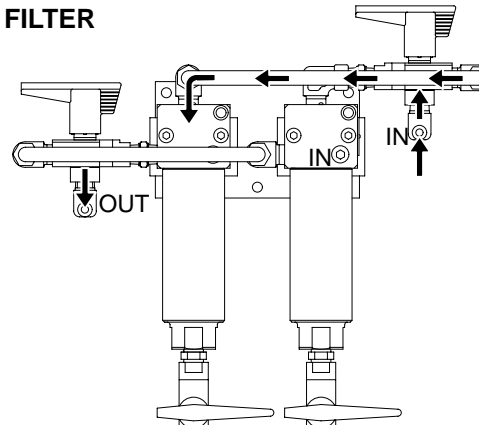
Filter Element Removal

1. Use the flow valves to redirect material flow from the dirty filter to the clean filter.
2. Open the drain valve on the dirty filter.
3. Loosen and remove the filter housing.
4. Remove and discard the dirty element.
5. Clean the housing and base. Make sure that the threads are free of residue.

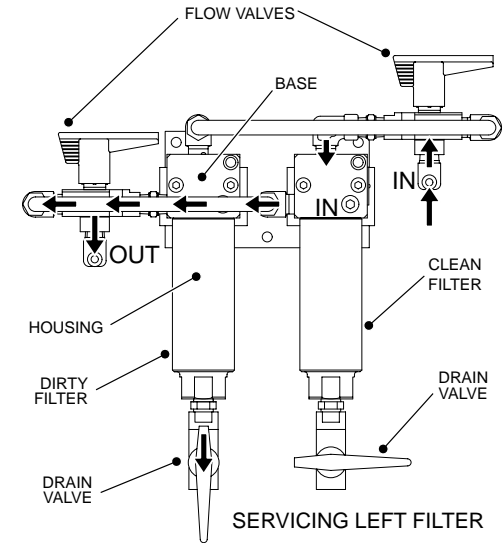
Filter Element Installation

1. Lightly coat the threads of the housing and base with petroleum jelly.
2. Install a new filter element.
3. Using an adjustable wrench, install and tighten the housing. Make sure that the housing bottoms onto the base.
4. Close the drain valve.
5. Use the flow valves to redirect the material flow to the clean filter.
6. Slowly open the drain valve, to purge air from the housing. Close the drain valve immediately after the air has been purged.
7. Using the flow valves, redirect the flow back to the filter originally on line.

LEFT FILTER

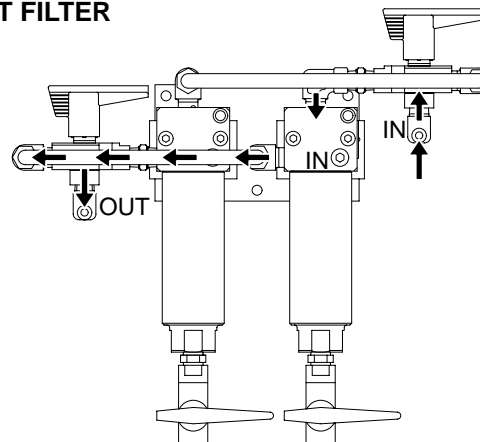


LEFT FILTER IN USE

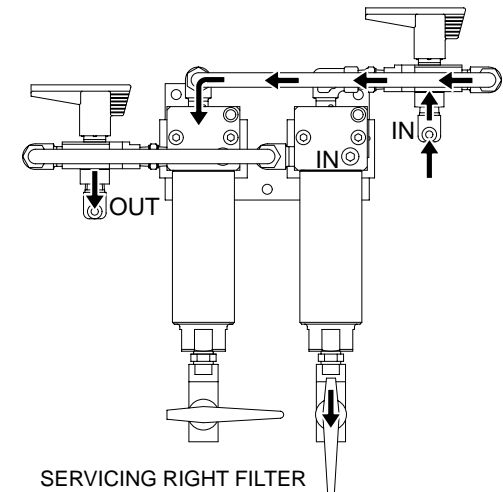


SERVICING LEFT FILTER

RIGHT FILTER



RIGHT FILTER IN USE



SERVICING RIGHT FILTER