



**WARNING:** Allow only qualified personnel to perform the following tasks. Follow the safety instructions in this document and all other related documentation.

## Parts

Item	Part	Description	Qty
—	1039774	Kit, Anti-vibration, Anti-Drool/Pro-Swirl	1
1	-----	• Screw, socket, M5 x 65 mm, black, Nylok	2
2	-----	• Washer, bonded, sealing, I.D. 0.240 x O.D. 0.625	4
3	-----	• Isolator, anti-vibration	1

## Installation

See Figure 1.

**NOTE:** Make sure that the neoprene faces of the washers are installed as shown.

1. Install the screws (1), washers (2), and isolator (3) onto the gun (4) as shown.
2. Install the gun to the mounting block (5). Tighten the screws until a gap of 4.8–5.3 mm (0.19–0.21 in.) is obtained between the gun and the screw head.

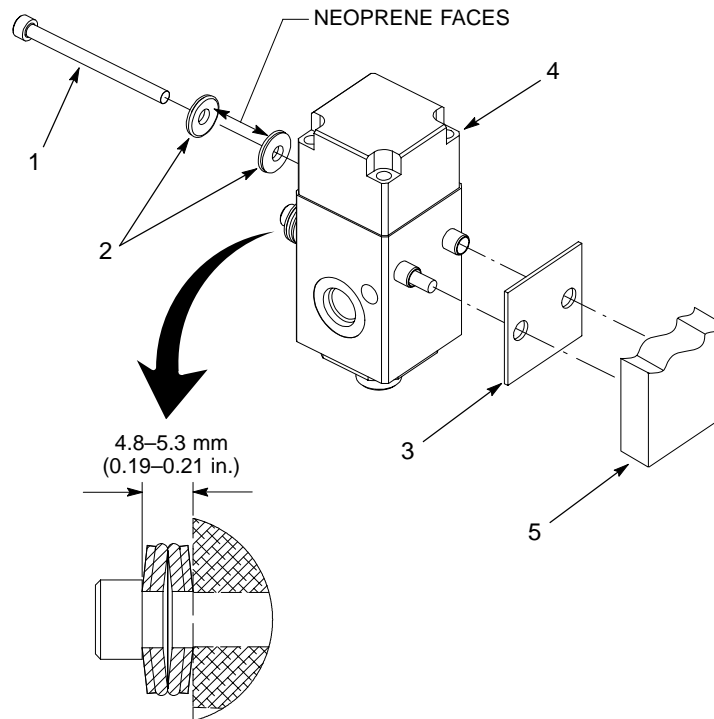


Figure 1 Installing the Anti-Vibration Kit

- |            |             |  |
|------------|-------------|--|
| 1. Screw   | 3. Isolator | 5. Mounting block<br>(Customer supplied) |
| 2. Washers | 4. Gun      |  |

Note: Anti-Drool gun shown.

Nylok is a registered trademark of Nylok Fastener Corporation.

Original copyright date 2003. Nordson and the Nordson logo are registered trademarks of Nordson Corporation.