

Nordson Mastic Regulator

Description

See Figure 1.

The Nordson Mastic Regulator is an air-operated regulator used with mastic or semi-solid materials. When installed in a ratio of one regulator per spray device or applicator, mastic regulators provide consistent pressure control during a variety of operating functions.

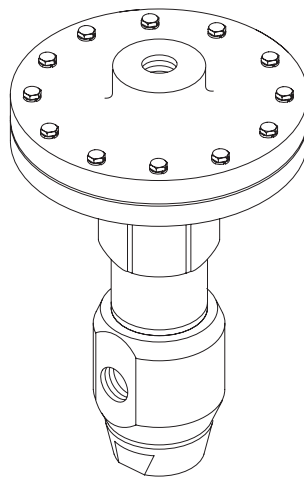


Figure 1 Mastic Regulator

When to Replace Seals

Replace the seals in the mastic regulator

- yearly, if your regulator is used heavily.
- if you experience pressure drops, blow-by, or hissing/leaking from the bottom of the regulator.

Replace other items, as necessary, when lost or damaged.

Preparing the Regulator for Service

Use this procedure to prepare the regulator for service:

1. Shut off air to the regulator.
2. Relieve fluid pressure.
3. Flush the regulator, if possible, using a solvent compatible with all the wetted parts in the system.
4. Remove the regulator from the system.

Specifications

These are the specifications for the mastic regulator.

Item	Specification
Maximum input air pressure	7 bar (100 psi)
Regulated output pressure	28-310 bar (250 - 4500 psi)
Material inlet and outlet ports	3/4 NPT
Air inlet connection	1/4 NPT

Torque and Adhesive Specifications

Item numbers correspond to callouts on Figure 2.

Item	Torque N·m (ft·lb)	Adhesive
1, hex, screw	14 - 16 (10 - 12)	—
5, flat screw	14 - 16 (10 - 12)	Threadlocking adhesive on threads
9, center housing cylinder	163 - 176 (120 - 130)	—
13, piston	27 - 34 (20 - 25)	Cylindrical retaining adhesive on threads
19, ball seat	47 - 54 (35 - 40)	—
22, socket screws ! CAUTION ! Do not over tighten these screws. Over tightening the screws will damage the spacers (Fig. 2, item 15) and may affect regulator operation.	11 - 13.5 (8 - 10)	Threadlocking adhesive on threads
23, end cap	163 - 176 (120 - 130)	—

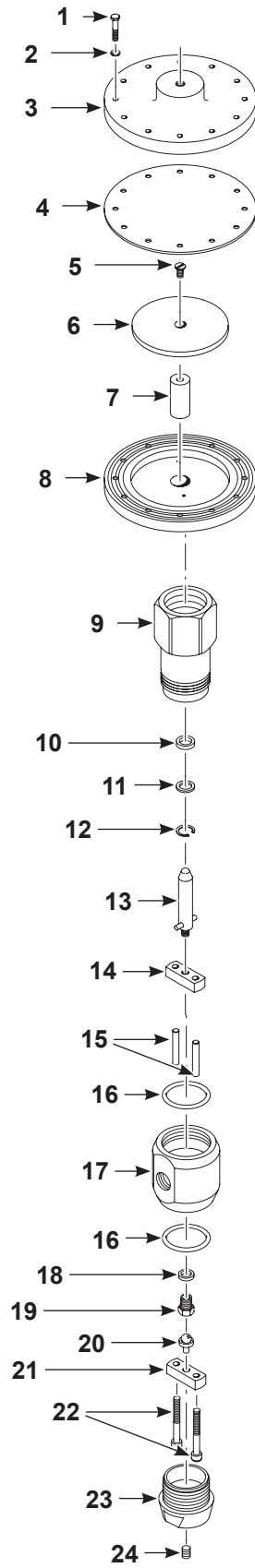


Figure 2 Parts

Parts

See Figure 2.

Contact Nordson Corporation to order parts.

Item	Part	Description	Quantity	Note
—	1017682	Kit, regulator, mastic	1	
1	UA	• Screw	12	
2	UA	• Washer, lock, e, split	12	
3	-----	• Housing, diaphragm, top	1	
4	1010249	• Diaphragm	1	
5	UA	• Screw, flat	1	
6	-----	• Support, plate, diaphragm	1	
7	-----	• Rod, piston to diaphragm	1	
8	-----	• Housing, diaphragm, bottom	1	
9	1010213	• Cylinder, housing, center	1	
10	-----	• Seal, U-cup	1	A
11	UA	• Washer	1	
12	1013802	• Retaining ring	1	
13	-----	• Piston	1	A
14	-----	• Bar, support, top	1	
15	-----	• Spacer	2	
16	-----	• O-ring, housing	2	A
17	-----	• Housing, material port	1	
18	-----	• Seal, washer	1	A
19	-----	• Seat, ball	1	A
20	-----	• Ball	1	A
21	-----	• Bar, support, bottom	1	
22	UA	• Screw, socket	2	
23	-----	• Cap, end	1	
24	UA	• Plug, pipe, socket	1	
NS	UA	• Adhesive, threadlocking	AR	
NS	UA	• Adhesive, retaining, cylindrical	AR	

NOTE: A. These parts are included in the Mastic Regulator Rebuild Kit part 1013800.

AR: As Required

NS: Not Shown

UA: Unavailable for purchase through Nordson. Contact local distributor or local source.

Issued 05/25

Original copyright date 2001. Nordson and the Nordson logo are registered trademarks of Nordson Corporation.

All other trademarks are the property of their respective owners.