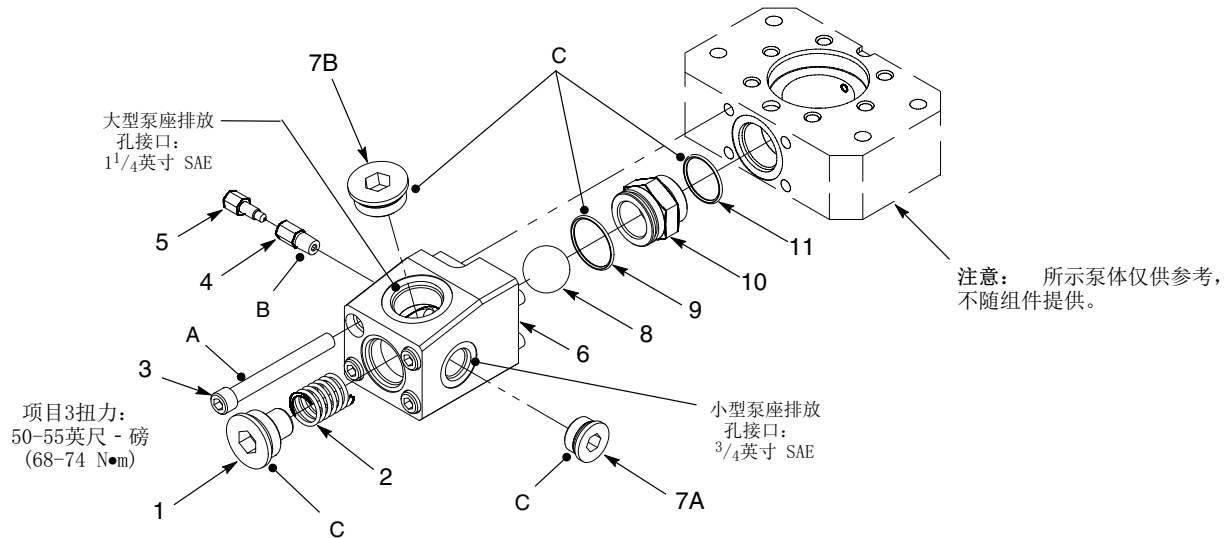


标准球形止回阀



技术规格

最大粘胶压力: 6000磅 / 平方英寸 (413巴)

开启压力: 20磅 / 平方英寸 (1.4巴)

大型泵座排放孔接口尺寸:

1 1/4英寸 SAE, 尺寸为20的O型密封环, 1 5/8 - 12 UNF - 2B螺纹

小型泵座排放孔接口尺寸:

3/4英寸 SAE, 尺寸为12的O型密封环, 1 1/16 - 12 UNF - 2B螺纹

润滑点

项目A: 安装前应用NEVER SEEZ (零件900334)。

项目B: 安装前应用管道粘胶 (零件900481)。

项目C: 安装前在O型环上应用润滑剂 (零件900223)。

注意: 可以将小型泵座止回阀旋转180°来更改排放孔接口的位

SD/SD2

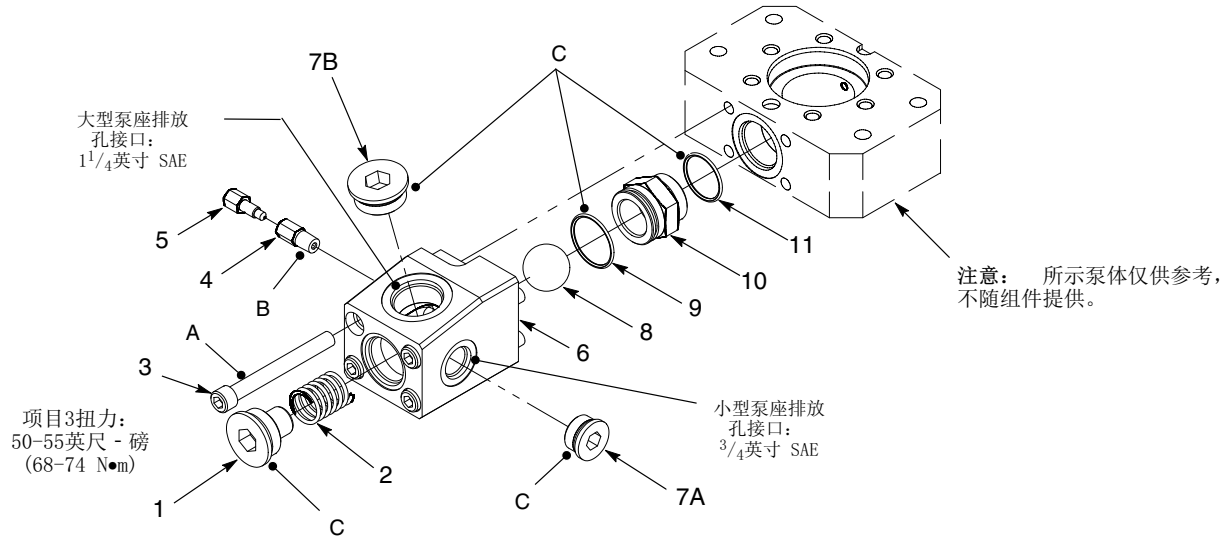
项目	P/N	P/N	P/N	描述	数量
—	1107466			Check valve, depressurization, large frame	1
—		1107467		Check valve, bleeder, large frame	1
—			1107468	Check valve, bleeder, small frame	1
1	-----	-----	-----	• Plug, SAE, 1 5/8-12	1
2	987066	987066	987066	• Spring, 2 x 1.225 x 0.125	1
3	1058448	1058448	1058448	• Screw, 1/2-13 x 5.0	4
4	-----	124698	124698	• Body, bleeder valve	1
5	-----	124697	124697	• Poppet, screw adjustment	1
6	1084970	1084970	1084970	• Body, check valve	1
7A	973591	973591	-----	• Plug, O-ring, 1 1/16-12, (only for large frame; not included with small frame)	1
7B	-----	-----	973477	• Plug, O-ring, 1 1/4-12, (only for small frame; not included with large frame)	1
8	900006	900006	900006	• Ball, 440, 1.5, 1	1
9	1041272	1041272	1041272	• O-ring, -131, Viton, 1.674 I.D., 0.103 w	1
10	1039067	1039067	1039067	• Seat, ball	1
11	303706	303706	303706	• O-ring, -920, Viton, 1.475 I.D., 0.118 w	1

标准球形止回阀 (续)

XD/XD2

项目	P/N	P/N	P/N	描述	数量
—	1085038			Check valve, depressurization, large frame	1
—		1085040		Check valve, bleeder, large frame	1
—			1085041	Check valve, bleeder, small frame	1
1	-----	-----	-----	• Plug, SAE, 1 ⁵ / ₈ -12	1
2	987066	987066	987066	• Spring, 2 x 1.225 x 0.125	1
3	1039707	1039707	1039707	• Screw, 1/2-13 x 4.5	4
4	-----	124698	124698	• Body, bleeder valve	1
5	-----	124697	124697	• Poppet, screw adjustment	1
6	1084970	1084970	1084970	• Body, check valve	1
7A	973591	973591	-----	• Plug, O-ring, 1 ¹ / ₁₆ -12, (only for large frame; not included with small frame)	1
7B	-----	-----	973477	• Plug, O-ring, 1 ¹ / ₄ -12, (only for small frame; not included with large frame)	1
8	900006	900006	900006	• Ball, 440, 1.5, 1	1
9	1041272	1041272	1041272	• O-ring, -131, Viton, 1.674 I.D., 0.103 w	1
10	1039067	1039067	1039067	• Seat, ball	1
11	303706	303706	303706	• O-ring, -920, Viton, 1.475 I.D., 0.118 w	1

不锈钢球形止回阀



技术规格

最大粘胶压力: 6000磅 / 平方英寸 (413巴)

开启压力: 20磅 / 平方英寸 (1.4巴)

大型泵座排放孔接口尺寸:
1 1/4英寸 SAE, 尺寸为20的O型密封环, 1 5/8 - 12 UNF - 2B螺纹

小型泵座排放孔接口尺寸:
3/4英寸 SAE, 尺寸为12的O型密封环, 1 1/16 - 12 UNF - 2B螺纹

润滑点

项目A: 安装前应用NEVER SEEZ (零件900334)。

项目B: 安装前应用管道粘胶 (零件900481)。

项目C: 安装前在O型环上应用Mobil SHC 634润滑剂 (零件900334)。

注意: 可以将小型泵座止回阀旋转180°来更改排放孔接口的位置。

项目	P/N	P/N	描述	数量
—	1085065		Check valve, bleeder, large frame, stainless steel	1
—		1085066	Check valve, bleeder, small frame, stainless steel	1
1	-----	-----	• Plug, SAE, 1 5/8-12, stainless steel	1
2	987066	987066	• Spring, 2 x 1.225 x 0.125	1
3	1039707	1039707	• Screw, 1/2-13 x 4.5	4
4	160559	160559	• Body, bleeder valve, stainless steel	1
5	160560	160560	• Poppet, screw adjustment, stainless steel	1
6	1085061	1085061	• Body, check valve, stainless steel	1
7A	1057806	-----	• Plug, O-ring, 1 1/16-12, (only for large frame; not included with small frame)	1
7B	-----	1057808	• Plug, O-ring, 1 1/4-12, (only for small frame; not included with large frame)	1
8	900006	900006	• Ball, 440, 1.5, 1	1
9	1041272	1041272	• O-ring, -131, Viton, 1.674 I.D., 0.103 w	1
10	1057807	1057807	• Seat, ball, stainless steel	1
11	303706	303706	• O-ring, -920, Viton, 1.475 I.D., 0.118 w	1

原始著作权日期 2003。Nordson、Nordson标志和Rhino是诺信公司的注册商标。
其它所有商标归其厂家所有。

- 原始文档译文 -