

CoolWave[®] 2 Transformer T3 and Wire Harness Upgrade Kits

Two kits are available to upgrade the CoolWave 2 transformer:

- Transformer and Harness Kit (required for first time upgrade only)
- Transformer Kit (use after harness upgrade)

NOTE: Retain the box used for shipping the T3 transformer and wiring to comply with the conditions of warranty.



WARNING: Allow only qualified personnel to perform the following tasks. Follow the safety instructions in this document and all other related documentation. A qualified and competent electrician must carry out all electrical maintenance and servicing of this equipment.



WARNING: This equipment operates at high voltages up to 5000 volts dc and is therefore potentially dangerous. The electrician servicing this equipment must take all precautions.



WARNING: Isolate the equipment at the main disconnect or lockout before removing any of the cover panels.

Improved T3 Transformer

See Figure 1. The old T3 transformer has pigtail wires whereas the new transformer has Faston terminals.

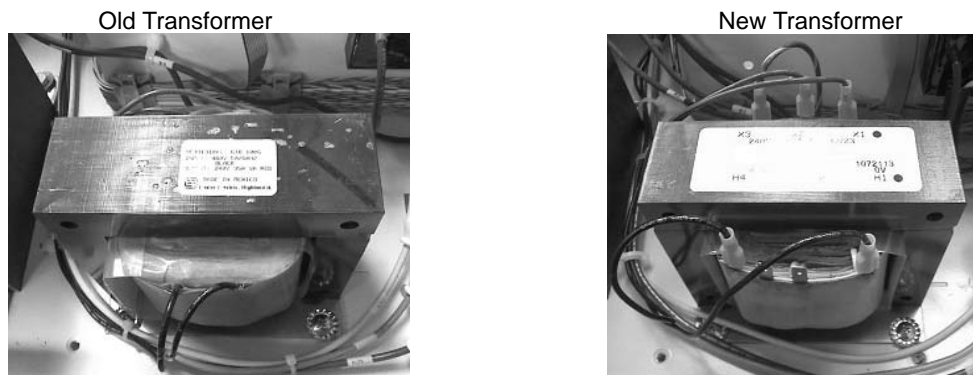


Figure 1 Old and New Versions of the Transformer

New Wiring Harness

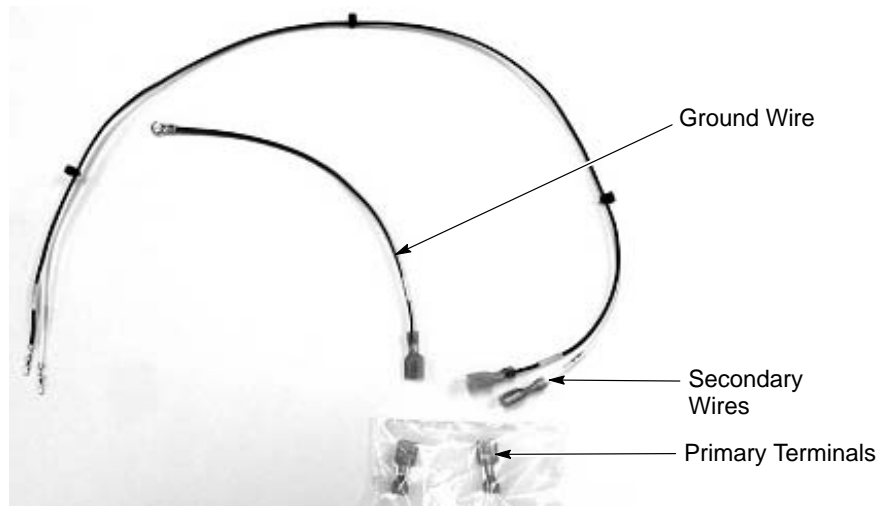


Figure 2 New Wiring Harness

Upgrading the Transformer and Wires

Removing the Old Transformer and Wires

A Philips screwdriver, wire cutter and stripper, Faston crimp tool and Molex Mini-Fit Jr contact extraction tool are needed. Refer to *Parts* for the extraction tool part number.

1. Remove electrical power from unit.
2. See Figure 3. Remove the six M5 screws from the power supply cover. Remove the cover and set it aside.



Figure 3 Remove Cover Screws

- See Figure 4. Cut wires about 0.25 in. from the transformer winding. Cut both red secondary wires and remove from harness. Cut both black primary wires, but DO NOT remove. These wires are used for the new transformer. Remove the four transformer mounting screws and washers.

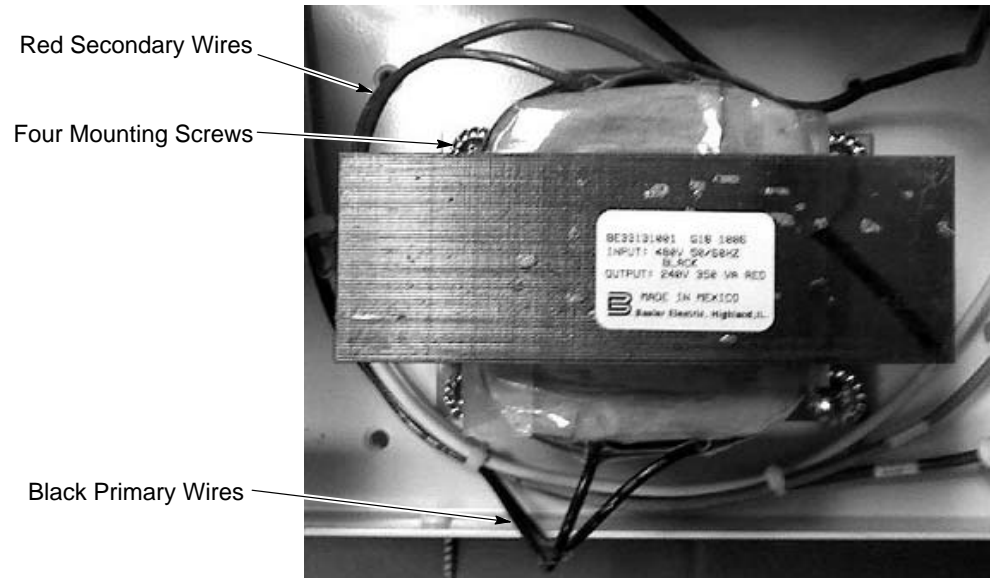


Figure 4 Cutting Old Transformer Wires

- Remove connector CONN6 located on the main control board then the red wires at positions 1 and 7. (Refer to *Transformer and Harness Disposal* for instructions on proper disposal.)

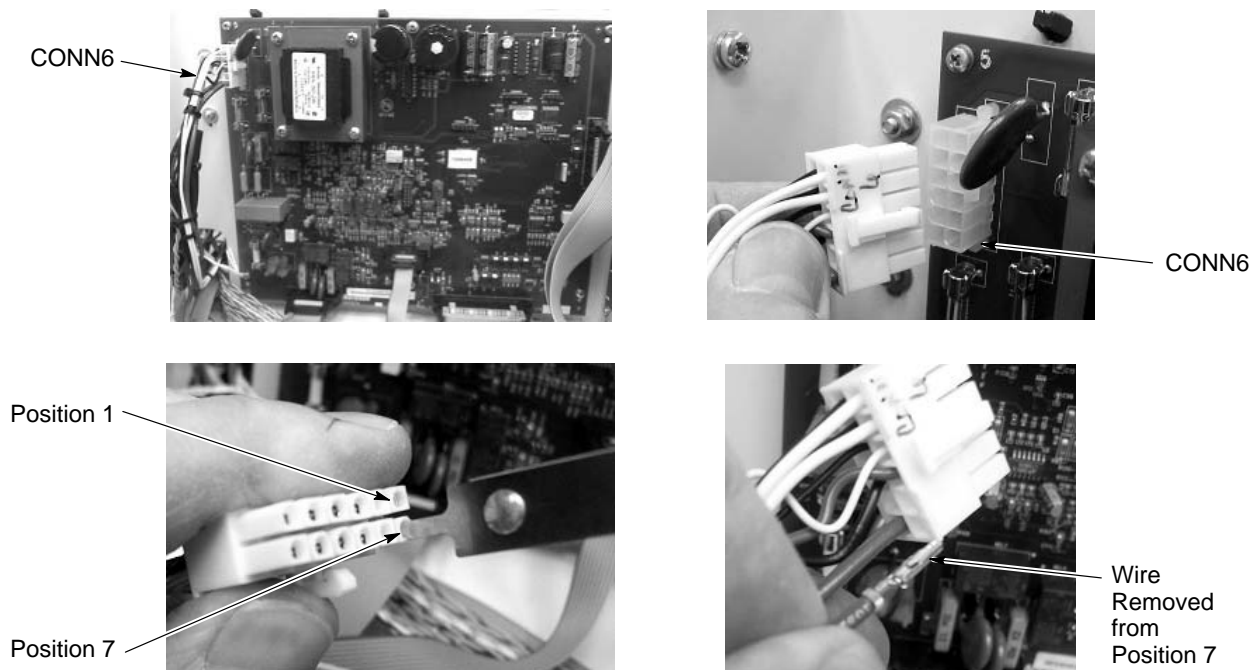


Figure 5 Removing CONN6 and Using Extractor Tool to Disconnect Red Transformer Wires

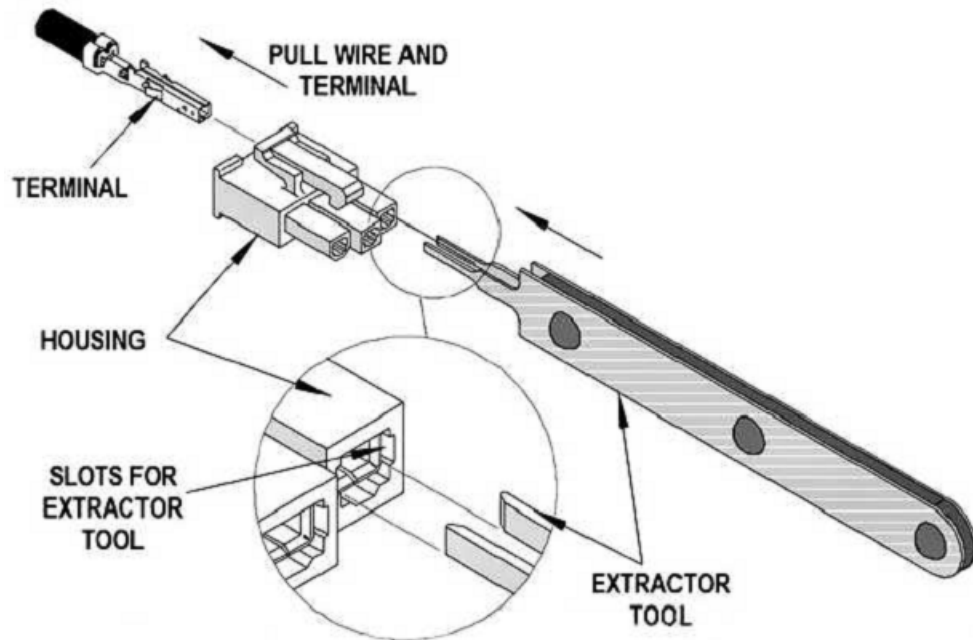


Figure 6 Using Extractor Tool to Remove Wires and Terminals from Connector

Installing the New Transformer and Wires

1. Mount and secure the new transformer to the chassis using the four screws and washers removed in prior steps.
2. See Figure 7. One at a time, matching the wire label to the transformer label, attach the Faston lugs onto the terminals, and insert the wires into the main control board CONN6.

From Transformer T3	Wire Color and Label	To	Wire Color and Label
X1	Black, X1-H	Main Control Bd CONN6-1	Black, CON6-1
X2	White, X2-N	Main Control Bd CONN6-7	White, CON6-7
X3	Green/Yellow X3-GND	Transformer, Mounting Screw	Green/Yellow, #10 Ring Terminal

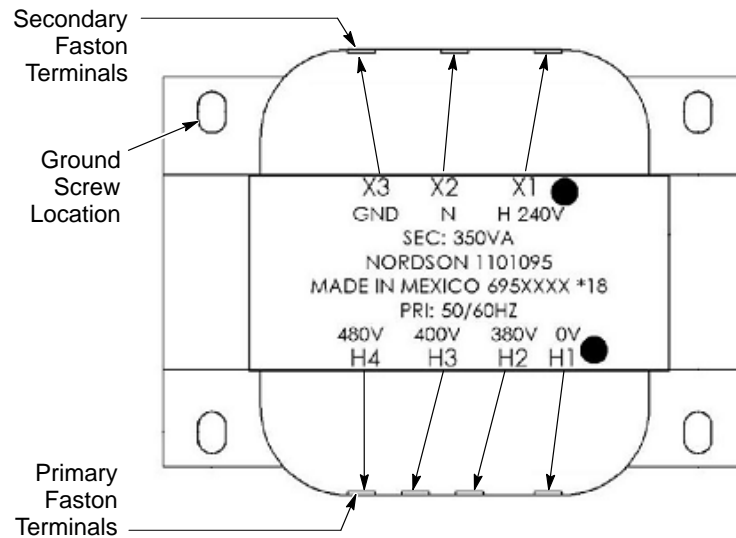


Figure 7 New Transformer Terminals

- Strip wire insulation back 0.30 in. on the existing primary black wires then crimp on the supplied 0.25 in. Faston lugs. One at a time, match the wire label to the transformer label, and attach the Faston lugs to the terminals.

From Transformer T3	Wire Color	To	Wire Color
H4	Black	Fuse Block 2-1	Black
H1	Black	Fuse Block 2-2	Black

Transformer and Harness Disposal

Dispose of equipment and materials used in operation and servicing according to local codes.

Returns under Warranty

When returning a transformer or wire harness that is under warranty, the items must be sent with the original packaging in which it was received. Failure to comply with these instructions will void the warranty.

Send return items to:

UV System Group
 Nordson Corporation
 Warranty Division
 444 Gordon Ave.
 Amherst, Ohio, 44001

Parts

To order parts, call the Nordson Finishing Customer Support Center at (800) 433-9319 or contact your Nordson representative.

Replacement Kit

Part	Description	Note
1102355	KIT, T3-XFMR, CW2, upgrade	A
1102431	KIT, T3 XFMR, step down, CW2	B

NOTE A: Kit includes transformer and harness. Required for first time upgrade only.
B: Kit includes transformer only. Use after harness upgrade.

Extractor Tool (Optional)

Part	Description	Note
1102411	TOOL, extraction, pin, mini-fit	

Issued 6/10

Original copyright date 2010. CoolWave, Nordson, and the Nordson logo are registered trademarks of Nordson Corporation.