

# Hose Fittings

## 1. Fittings for High-Pressure Hose

This section has the following fittings:

- Hose-to-hose connectors
- Hose-to-hose swivel elbows
- Straight pipe-to-hose connectors
- Pipe-to-hose elbows
- Quick-disconnect coupler
- Y-fittings
- Cap (female)

### Hose-to-Hose Connectors

See Figure 1.

A = 1/2-20 37° JIC Tapper

B = 1/2-20 37° JIC Tapper

Part	A	B	Material Specifications	Feature
972 350	1/2-20	1/2-20	Steel zinc plated	3/16 and 1/4 hose-to-hose
972 360	1/2-20	1/2-20	316 stainless steel	3/16 and 1/4 hose-to-hose
972 503	3/4-16	3/4-16	Steel zinc plated	3/8 hose-to-hose
972 107	1/2-20	3/4-16	Steel zinc plated	3/16 and 1/4 hose to 3/8 hose

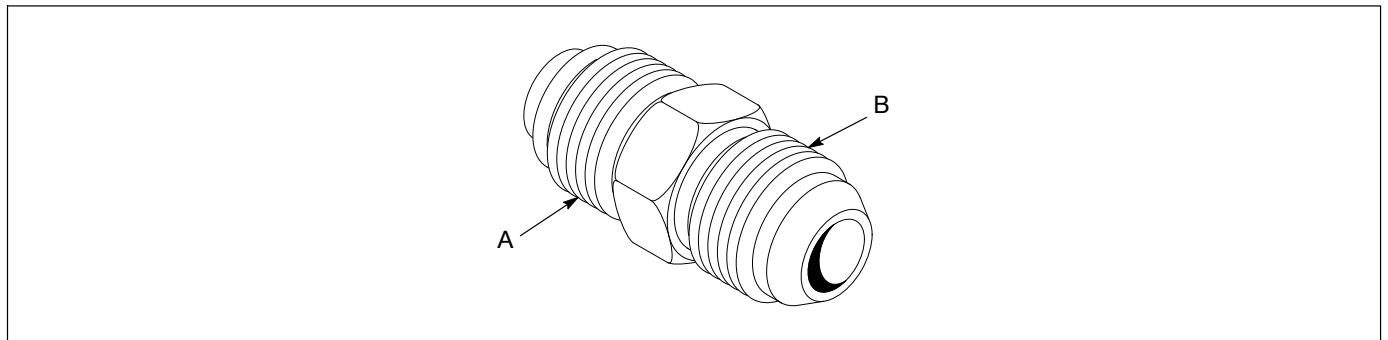


Fig. 1 Hose-to-Hose Connector

**Hose-to-Hose Swivel Elbows**

See Figure 2.

A = 37° JIC Tapper female  
 B = 37° JIC Tapper male

Part	A	B	Material Specifications	Feature
972 353	1/2-20	1/2-20	Steel zinc plated	3/16 and 1/4 hose-to-fitting
972 400	9/16-18	9/16-18	Steel zinc plated	5/16 PTFE hose-to-fitting

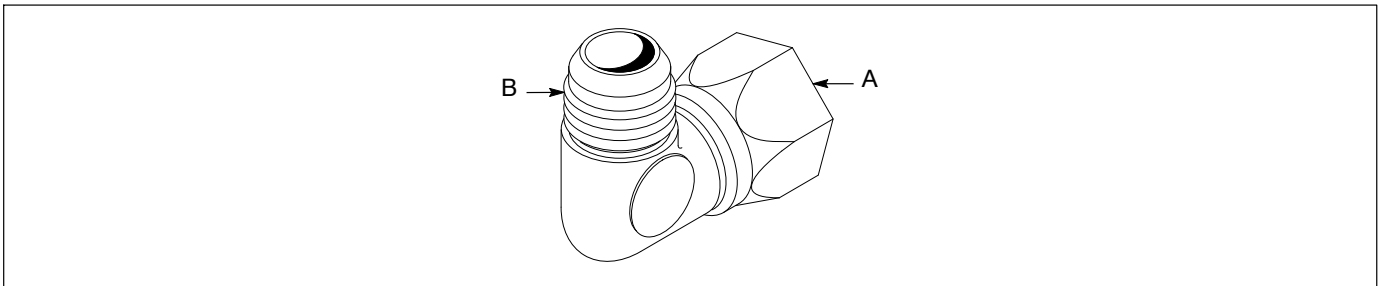


Fig. 2 Hose-to-Hose Swivel Elbow

See Figure 3.

A = 37° JIC Tapper male  
 B = 37° JIC Tapper female

Part	A	B	Material Specifications	Feature
972 719	1/2-20	1/4 NPTF	Steel zinc plated	Nordson hose-to-female NPT

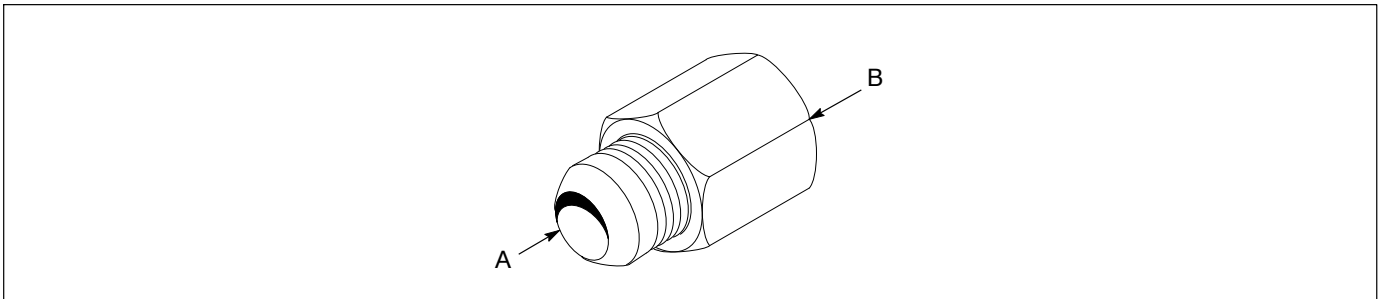


Fig. 3 Hose-to-Female NPT

**Straight Pipe-to-Hose  
Connectors**

See Figure 4.

A = NPT  
B = 37° JIC Taper

Part	Pipe A	Hose B	Material Specifications	Feature
972 025	1/4	1/2-20	Steel zinc plated	Standard hose
972 028	3/8	1/2-20	Steel zinc plated	Standard hose
972 029	1/4	1/2-20	316 stainless steel	Standard hose
972 051	1/4	9/16-18	Brass nickel plated	For 5/16 PTFE hose
972 052	3/8	9/16-18	316 stainless steel	For 5/16 PTFE hose
972 100	1/2	7/8-14	Steel zinc plated	Siphon
972 101	3/8	3/4-16	Steel zinc plated	Drain off
972 102	1/2	7/8-14	316 stainless steel	Siphon
972 103	3/8	3/4-16	316 stainless steel	Drain off
972 111	3/4	7/8-14	Steel zinc plated	Siphon
972 112	3/4	7/8-14	316 stainless steel	Siphon
972 105	3/4	1-1/16-12	Steel zinc plated	180C and 25B 2 and 4:1
972 106	1/4	3/4-16	Steel zinc plated	Drain off
972 110	3/4	1-1/16-12	316 stainless steel	180C and 25B 2 and 4:1
972 108	1/2	3/4-16	Steel zinc plated	NH4 wide/dual passage heaters

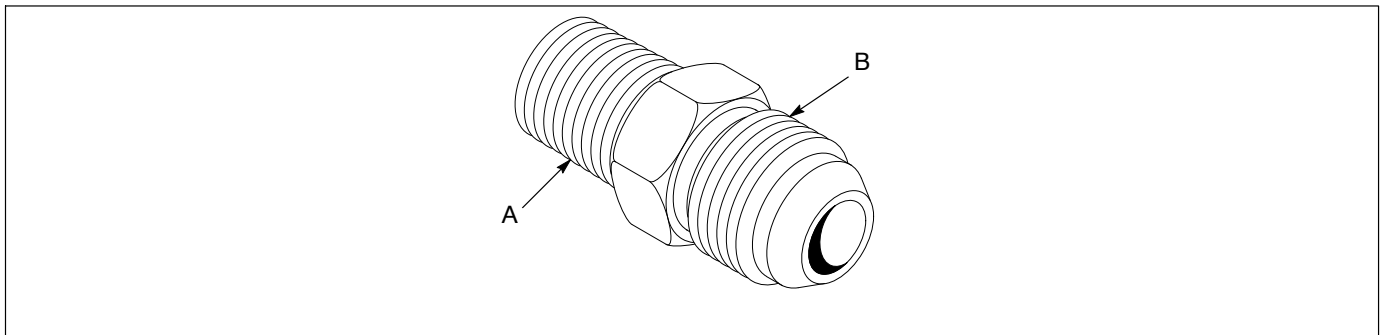


Fig. 4 Straight Pipe-to-Hose Connector

**Pipe to Hose Elbows**

See Figure 5.

A = NPT  
B = 37° JIC Taper

Part	Pipe A	Pipe B	Material Specifications	Feature
972 176	1/4	1/2-20	Steel zinc plated	Standard hose
972 177	1/4	1/2-20	316 stainless steel	Standard hose
972 200	1/4	9/16-18	Steel zinc plated	For 5/16 PTFE hose
972 251	1/2	7/8-14	Steel zinc plated	Siphon
972 252	1/2	7/8-14	316 stainless steel	Siphon
972 255	3/8	3/4-16	Steel zinc plated	Drain off
972 180	3/8	1/2-20	Steel nickel plated	Corrosion resistant
972 583	3/4	1-1/16-12	Steel zinc plated	180C and 25B 2 and 4:1 siphon
972 603	3/4	1-1/16-12	316 stainless steel	180C and 25B 2 and 4:1 siphon
972 254	1/4	3/4-16	Steel zinc plated	—
972 598	3/4	7/8-14	Steel zinc plated	Siphon
972 599	3/4	7/8-14	316 stainless steel	Siphon

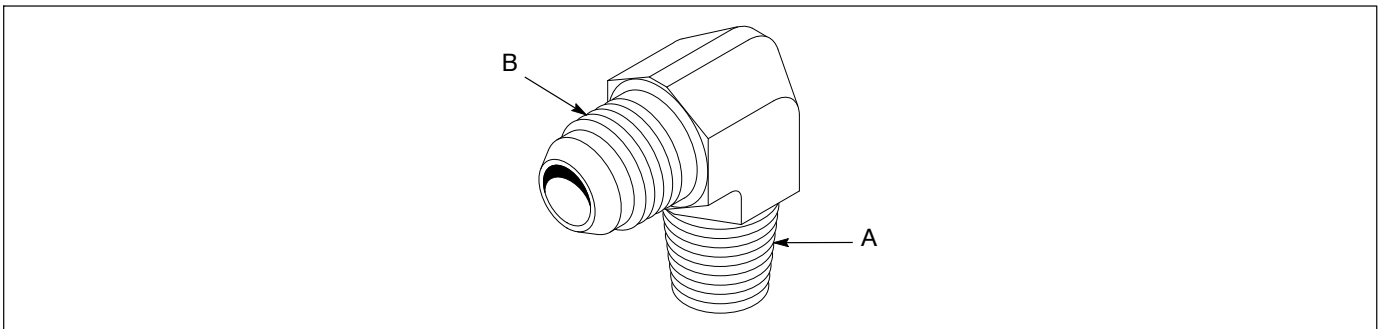


Fig. 5 Pipe-to-Hose Elbow

**Quick-Disconnect Coupler**

See Figure 6.

This connector is designed for dead-end hand airless guns only.

Material flows through this connector in one direction only from the male half through the female half.

Item	Part	Material Specifications
—	243 144	Quick-disconnect
1	243 145	Male, half, 1/2-20 JIC
2	243 146	Female, half, 5/8-18 male
3	940 140	O-ring 1/2 x 5/8 in.

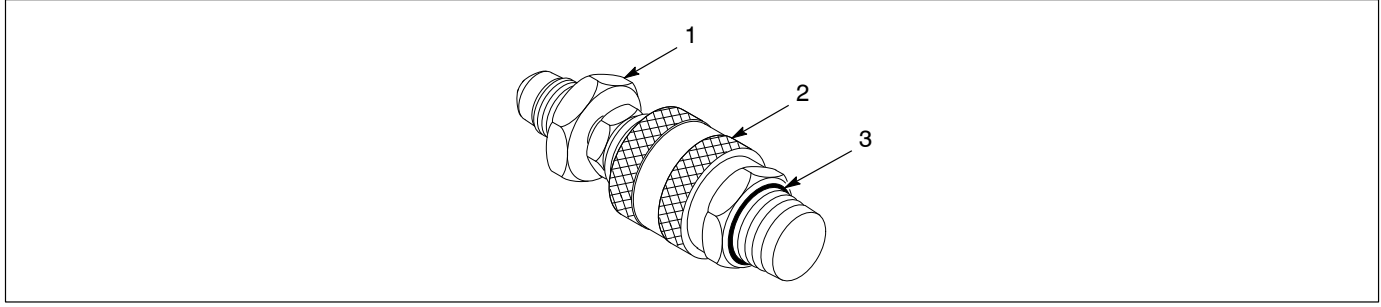


Fig. 6 Quick-Disconnect Coupler

**Y-Fittings**

See Figure 7.

Part	A (NPT)	B (NPT)	C (NPT)	Material Specifications	Feature
973 952	1/4	1/4	1/4	Steel zinc plated	Cold airless Y

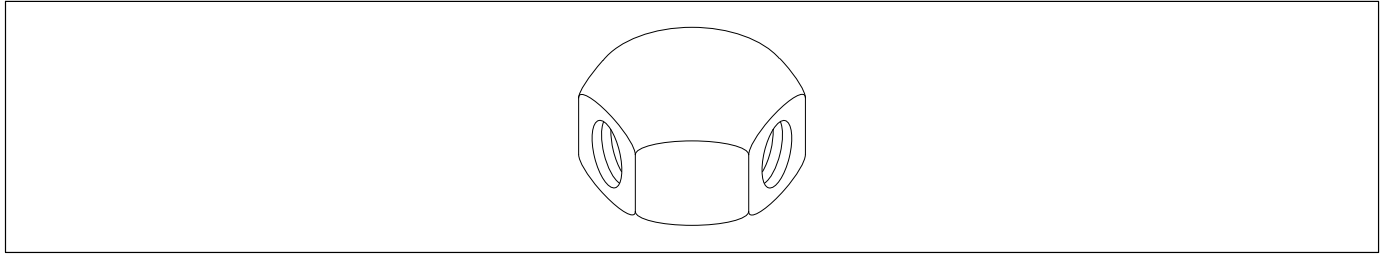


Fig. 7 Y-Fitting

**Cap (Female)**

See Figure 8.

Part	A	Material Specifications
972 359	1/2-20 JIC	Steel zinc plated

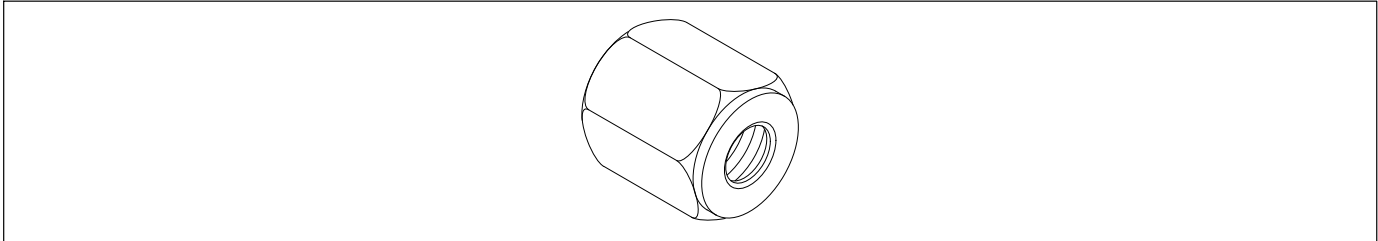


Fig. 8 Cap (Female)

## 2. High-Pressure Pipe

This section has the following fittings:

- Nipples
- Pipe-reducing bushings (male to female)
- Pipe couplings
- Male reducers
- Street elbows
- 90° elbows
- Pipe plugs
- Pipe tees

### Nipples

See Figure 9.

Part	A (NPT)	L	Material Specifications	Feature
973 001	1/8	2-1/2	Steel zinc plated	Pipe-to-pipe
973 002	1/8	1-1/2	Steel zinc plated	—
973 026	1/4	Close	Steel zinc plated	—
973 029	1/4	1-11/16 hex	316 stainless steel	—
973 034	1/4	1-11/16	Standard steel	—
973 037	1/4	1-7/16 hex	Steel zinc plated	—
973 050	3/8	Close	Steel nickel plated	—
973 051	3/8	1-1/2	Steel zinc plated	—
973 052	3/8	2-1/2	Steel zinc plated	—
973 053	3/8	3	Steel zinc plated	—
973 059	3/8	1-11/16 hex	316 stainless steel	—
973 081	1/2	Close, hex	Steel zinc plated	—

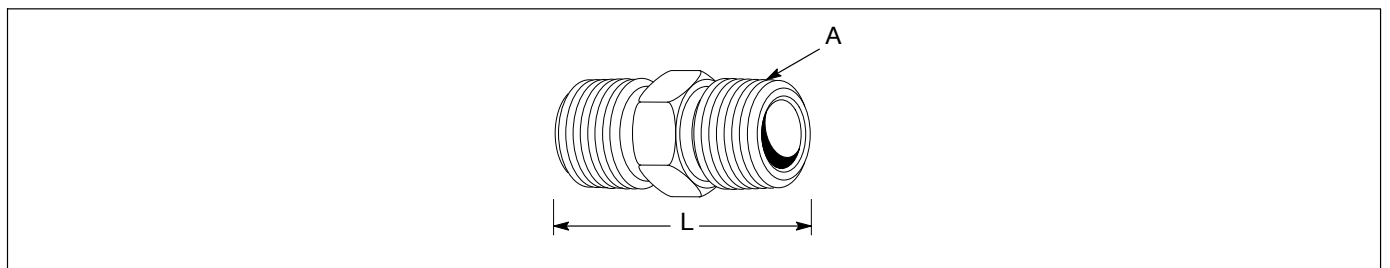


Fig. 9 Nipple

**Pipe-Reducing Bushings  
(Male and Female)**

See Figure 10.

A = male  
B = female

Part	A (NPT)	B (NPT)	Material Specifications
973 370	3/8	1/4	Steel galvanized
973 372	1/4	1/8	Steel zinc plated
973 371	3/8	1/4	316 stainless steel

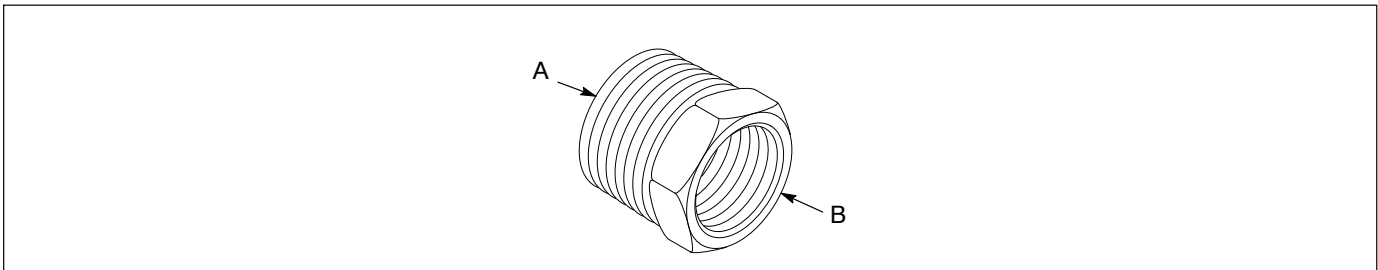


Fig. 10 Pipe-Reducing Bushing (Male and Female)

**Pipe Couplings**

See Figure 11.

Part	A (NPT)	B (NPT)	Material Specifications
973 500	1/4	1/4	Steel zinc plated
973 522	1/4	3/8	Steel zinc plated
973 521	1/4	3/8	316 stainless steel
973 520	3/8	3/8	Steel zinc plated

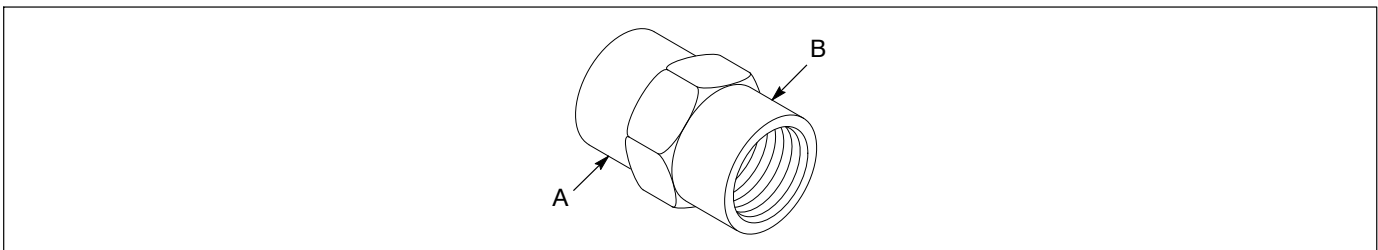


Fig. 11 Pipe Coupling



**Male Reducers**

See Figure 12.

Part	A (NPT)	B (NPT)	Material Specifications
973 958	3/8	1/4	Steel nickel plated
973 963	1/2	1/4	Steel zinc plated
973 961	3/4	1/2	Steel zinc plated
973 959	3/4	1/2	316 stainless steel

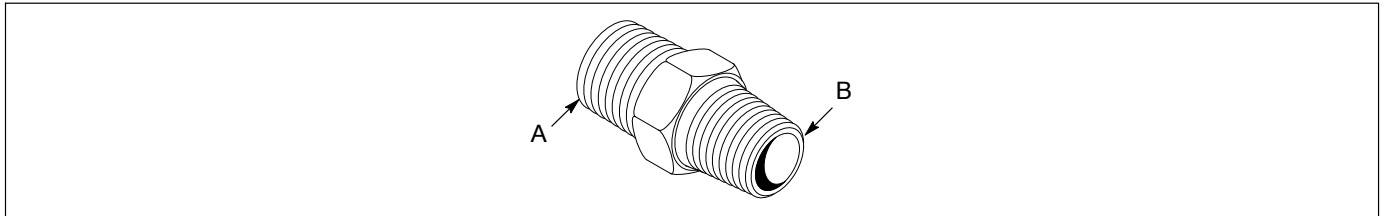


Fig. 12 Male Reducer

**Street Elbows**

See Figure 13.

Part	A (NPT)	B (NPT)	Material Specifications	Feature
973 126	1/8	1/8	Steel zinc plated	SAE hydraulic
973 151	1/4	1/4	Steel zinc plated	Long-high-pressure
973 154	1/4	1/4	316 stainless steel	SAE hydraulic
973 180	3/8	3/8	316 stainless steel	SAE hydraulic

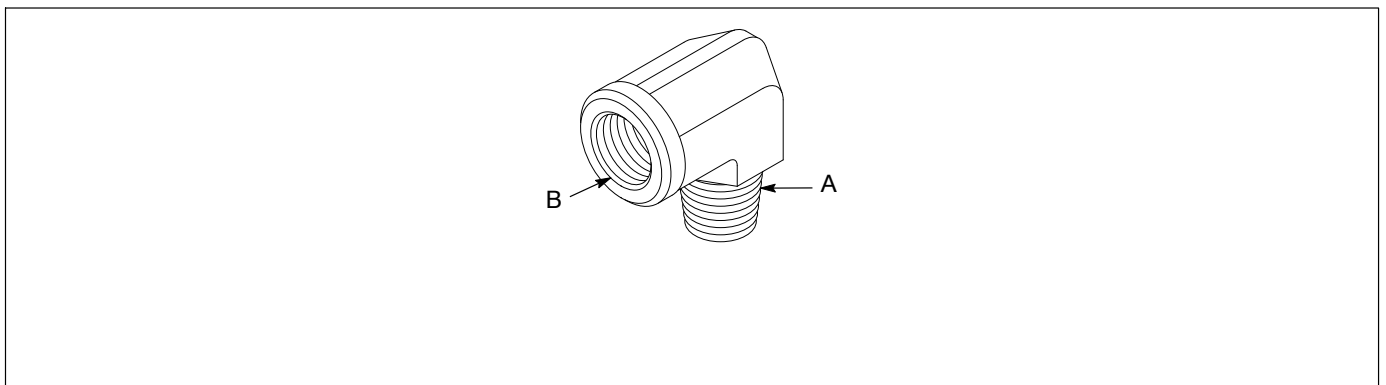


Fig. 13 Street Elbow

**90° Elbows**

See Figure 14.

Part	A (NPT)	B (NPT)	Material Specifications	Feature
973 153	1/4	1/4	Steel zinc plated	SAE hydraulic
973 179	3/8	3/8	Steel zinc plated	SAE hydraulic
973 176	3/8	3/8	316 stainless steel	SAE hydraulic

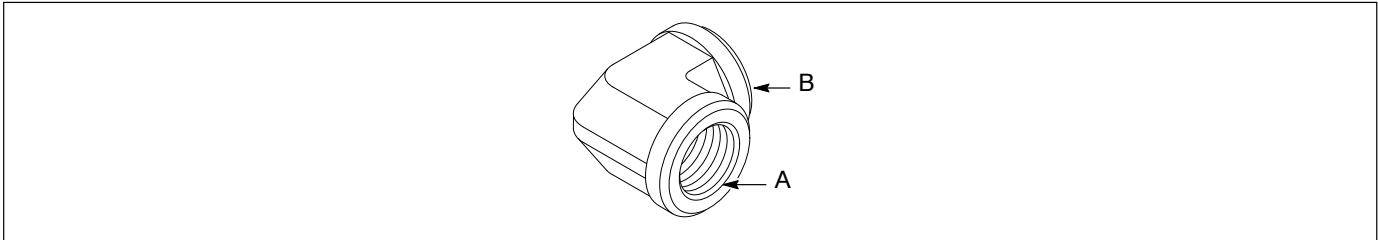


Fig. 14 90° Elbow

**Pipe Plugs**

See Figure 15.

Part	A	B	Material Specifications	Feature
973 402	1/8 NPTF	Hex center sunk	Steel zinc plated	—
973 403	1/16 NPTF	Hex center sunk	Steel zinc plated	—
973 410	1/4 NPTF	Hex center sunk	Steel zinc plated	—
973 411	1/4 NPTF	Hex center sunk	Steel zinc plated	—
973 412	1/4 NPTF	Square	Delrin	Delrin
973 422	3/8 NPTF	Hex center sunk	Steel zinc plated	—
973 431	1/2 NPT	Hex center sunk	Steel zinc plated	—
973 415	1/4 NPTF	Hex center sunk	Steel zinc plated	—
973 423	3/8 NPTF	Hex center sunk	Steel zinc plated	—

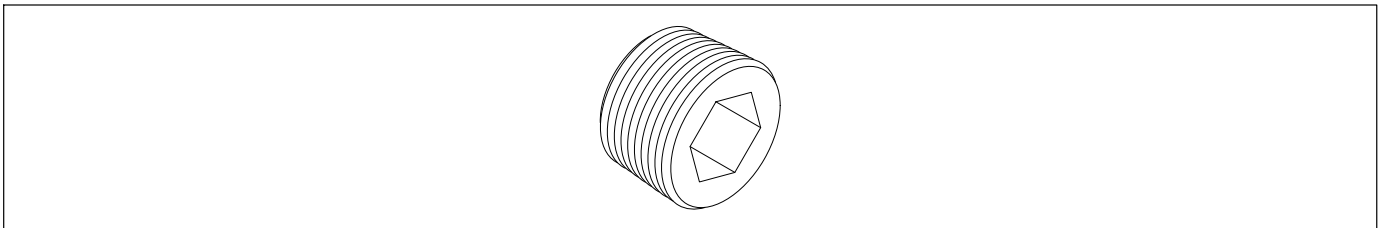


Fig. 15 Pipe Plug

**Pipe Tees**

See Figure 16.

Part	A (NPT)	B (NPT)	C (NPT)	Material Specifications	Feature
973 260	1/4	1/4	1/4	Steel zinc plated	SAE hydraulic
973 273	3/8	3/8	3/8	2000 malleable zinc plated	2000 psi max
973 282	1/2	1/2	1/2	Steel zinc plated	SAE hydraulic
973 293	3/4	3/4	1/2	Steel zinc plated	Circular valve
973 284	1/2	1/2	1/2	316 stainless steel	SAE hydraulic

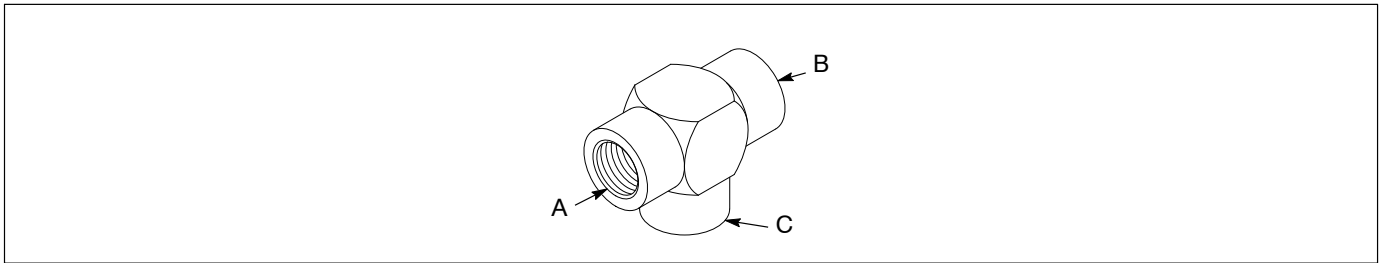


Fig. 16 Pipe Tee

### 3. High-Pressure Tube

This section has the following fittings:

- Pipe-to-tube male connectors
- Pipe-to-tube male elbows
- Tube-to-tube connectors
- Tube-to-tube elbows

#### Pipe-to-Tube Male Connectors

See Figure 17.

B = OD tube compression

Part	A	B	Material Specifications	Feature
971 255	1/8 NPTF	3/8 OD	Steel zinc plated	Seamless steel tube
971 250	1/4 NPT	3/8 OD	Steel zinc plated	Seamless steel tube
971 251	3/8 NPT	3/8 OD	Steel zinc plated	Seamless steel tube

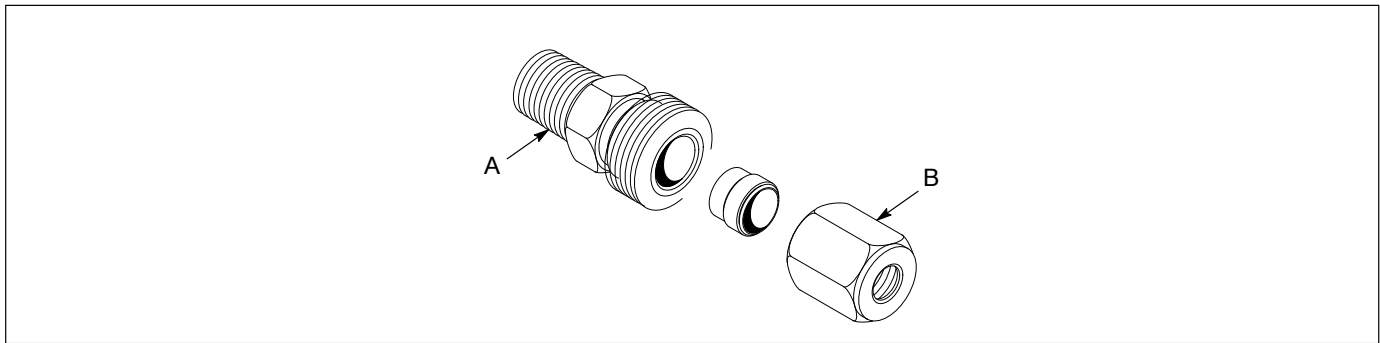


Fig. 17 Pipe-to-Tube Male Connector

#### Pipe-to-Tube Male Elbows

See Figure 18.

B = OD tube compression

Part	Pipe A (NPT)	Tubing B	Material Specifications	Feature
971 450	1/8	5/16 OD	Steel zinc plated	Seamless steel tube
971 500	3/8	3/8 OD	Steel zinc plated	Seamless steel tube
971 505	3/8	3/8 OD	316 stainless steel	Seamless steel tube
971 504	1/4	3/8 OD	316 stainless steel	Seamless steel tube
971 501	1/4	3/8 OD	Steel zinc plated	Seamless steel tube

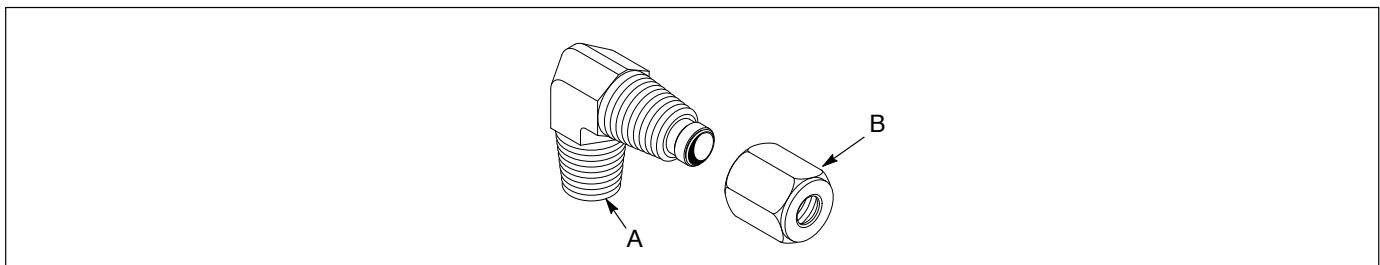


Fig. 18 Pipe-to-Tube Male Elbow

**Tube-to-Tube Connectors**

See Figure 19.

Part	Tubing A	Tubing B	Material Specifications	Feature
971 702	3/8 OD	3/8 OD	Steel zinc plated	Seamless steel tube

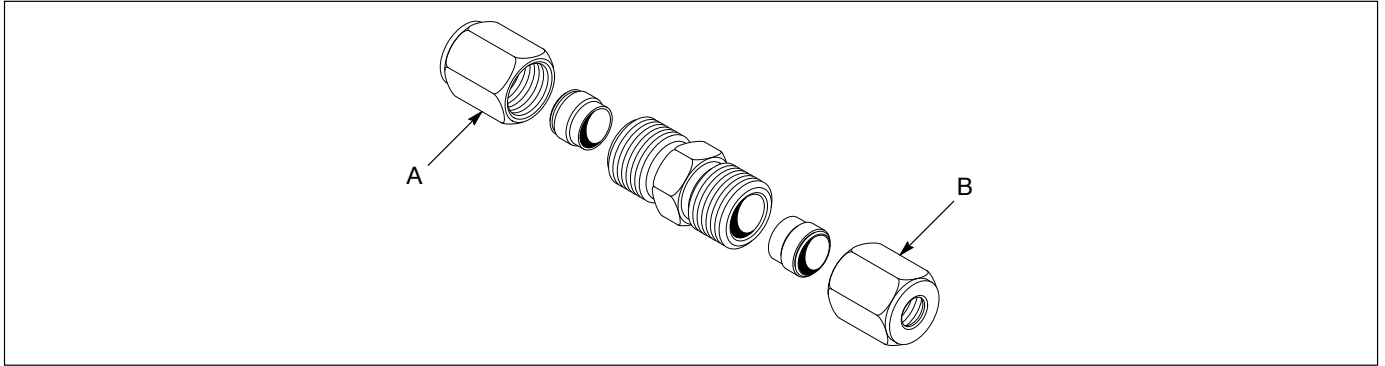


Fig. 19 Tube-to-Tube Connector

**Tube-to-Tube Elbows**

See Figure 20.

Part	Tubing A	Tubing B	Material Specifications	Feature
971 703	3/8 OD	3/8 OD	Steel zinc plated	Seamless steel tube

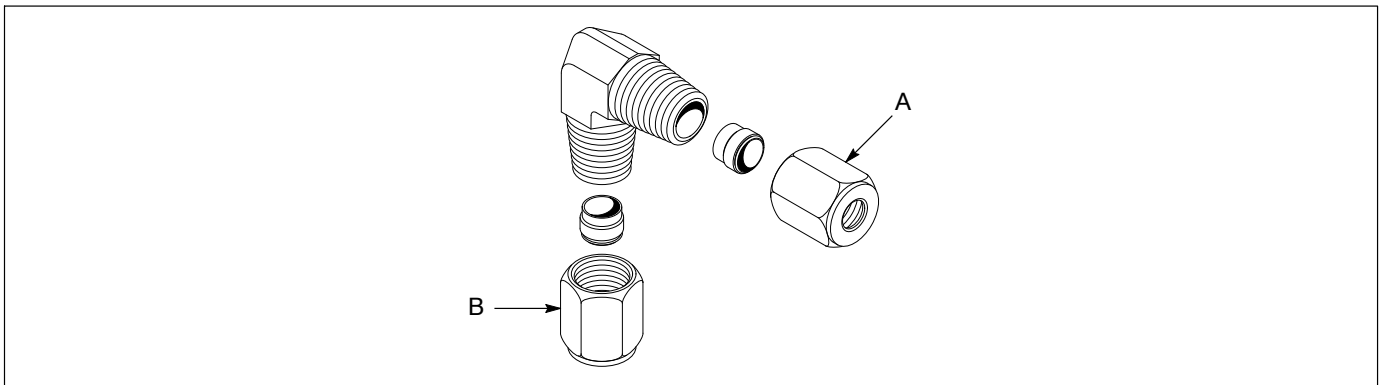


Fig. 20 Tube-to-Tube Elbow

**4. Low-Pressure Pipe**

This section has the following fittings:

- Nipples
- Reducing bushings
- Elbows
- Street elbows
- Tees
- Couplings and reducing coupling
- Cross
- Bulkhead fitting

**Nipples**

See Figure 21.

Part	A (NPT)	L	Material Specifications
973 000	1/8	3/4	Steel zinc plated
973 032	1/4	2-1/2	Steel galvanized
973 027	1/4	3/4	Brass
973 036	1/4	3	Brass
973 076	1/2	Close	Steel galvanized
973 109	3/4	2	Steel galvanized

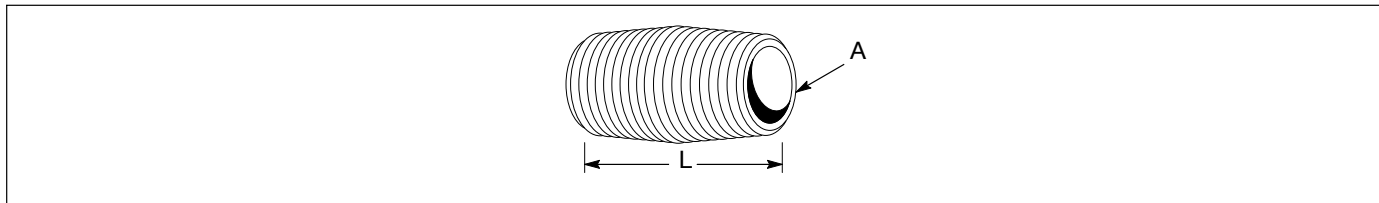


Fig. 21 Nipple

**Reducing Bushings**

See Figure 22 and refer to the *Pipe Reducing Bushings (Male and Female)* table in *Pipe High Pressure*.

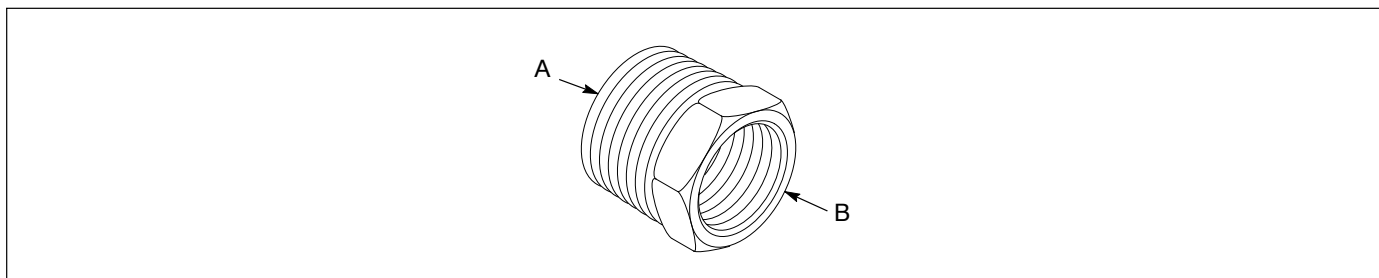


Fig. 22 Pipe-Reducing Bushing

**Elbows**

See Figure 23.

Part	A (NPT)	B (NPT)	Material Specifications	Feature
973 152	1/4	1/4	150 malleable zinc plated	—
973 158	1/4	1/8	150 malleable galvanized	Reducing
973 300	1/2	3/8	150 malleable galvanized	Reducing

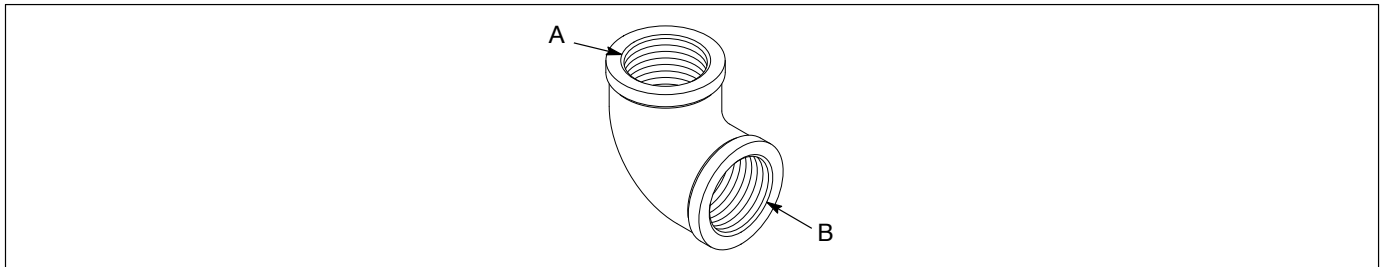


Fig. 23 Elbow

**Street Elbows**

See Figure 24.

Part	A (NPT)	B (NPT)	Material Specifications	Feature
973 125	1/8	1/8	Brass zinc plated	SAE J530a
973 156	1/8	1/4	Steel or brass	—
973 157	1/4	1/4	Brass	Short

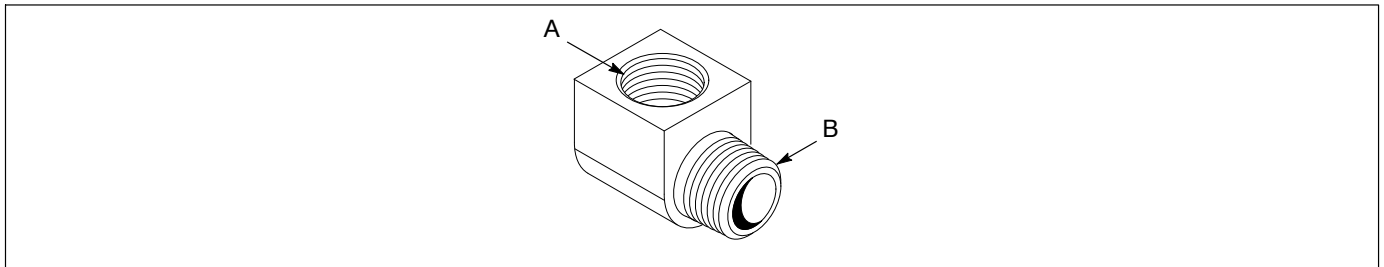


Fig. 24 Street Elbow

**Tees**

See Figure 25.

Part	A (NPT)	B (NPT)	C (NPT)	Material Specifications	Feature
973 261	1/4	1/4	1/4	Brass	—
973 272	3/8	3/8	3/8	150 malleable galvanized	—
973 281	3/8	3/8	1/2	150 malleable black	Reducing tee
973 280	1/2	3/8	1/2	150 malleable black	Reducing tee
973 271	3/8	3/8	1/4	300 malleable black	Reducing tee

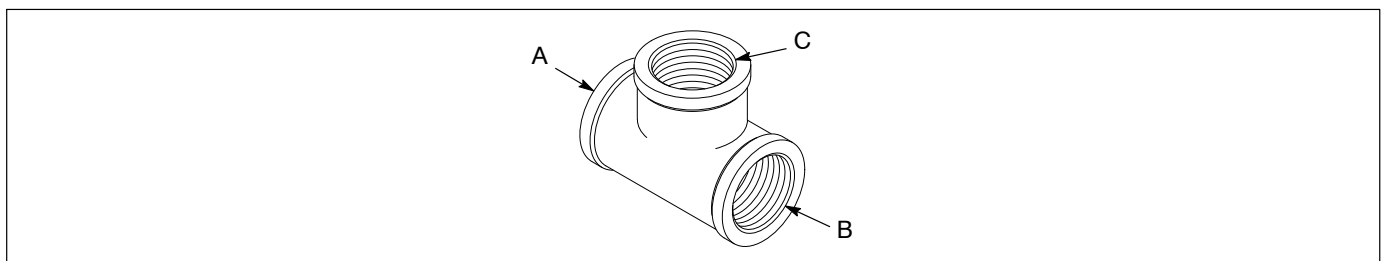


Fig. 25 Tee

**Couplings and Reducing Coupling**

See Figure 26.

Part	A (NPT)	B (NPT)	Material Specifications	Feature
973 503	1/8	1/8	150 malleable galvanized	—
973 530	1/2	3/8	150 malleable black	Reducing
973 312	1/2	3/8	150 malleable galvanized	Reducing
973 311	3/4	1/4	150 malleable galvanized	Reducing
973 313	1/4	1/8	125 pound brass	Reducing

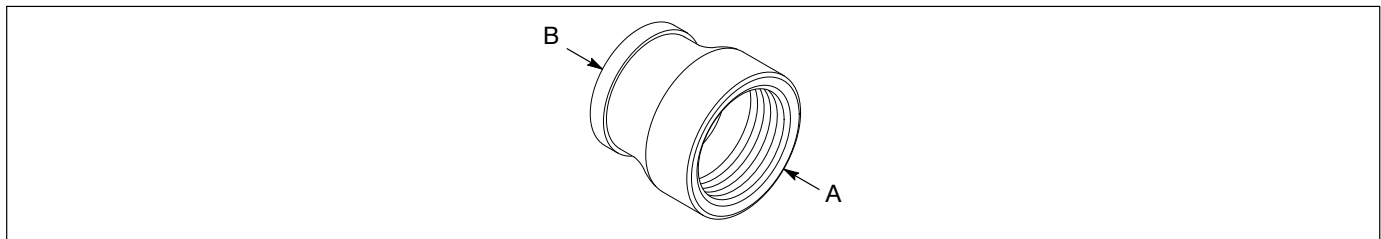


Fig. 26 Couplings and Reducing Coupling



**Cross**

See Figure 27.

Part	A (NPT)	B (NPT)	C (NPT)	D (NPT)	Material Specifications
973 974	1/4	1/4	1/4	1/4	150 malleable zinc plated
973 962	1/2	1/2	1/2	1/2	150 malleable galvanized
973 969	3/4	3/4	3/4	3/4	150 malleable zinc plated
973 970	3/4	3/4	3/4	3/4	316 stainless steel

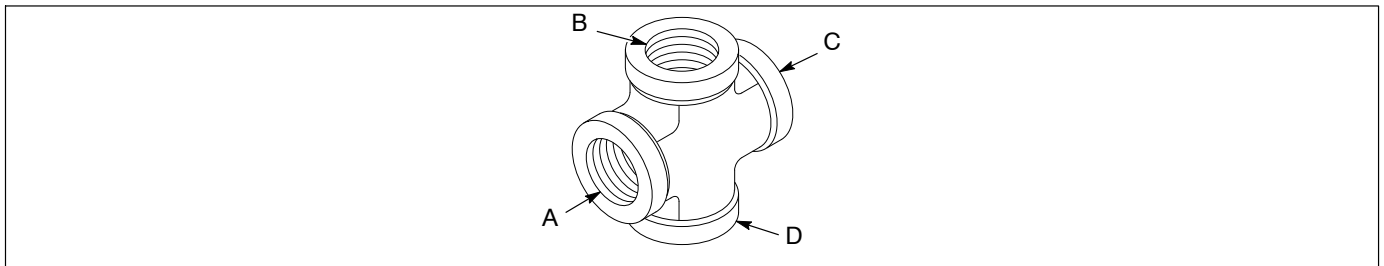


Fig. 27 Cross

**Bulkhead Fitting**

See Figure 28.

Part	A (NPTF)	B	Material Specifications
973 968	1/4	3/4-16	Bulkhead fitting, 1/4 NPTF
973 981	3/8	1-14	Bulkhead fitting, 3/8 NPTF

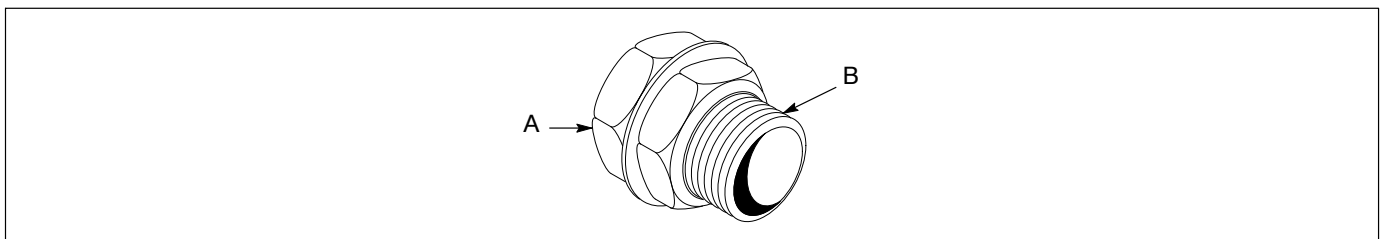


Fig. 28 Bulkhead Fitting

**5. Low-Pressure Hose**

This section has the following fittings:

- Female connectors
- Male adapters
- Male reducer
- Circulation block
- Quick-disconnect air
- Quick-disconnect fluid

**Female Connectors**

See Figure 29.

A = used for air hose and low-pressure fluid hose.

B = plastic tube or plastic paint hose size.

Part	A (NPS)	B Tube	Material Specifications	Feature
971 772	1/4	1/4 in.	Brass nickel plated	For 1/4 ID paint tube
971 770	3/8	1/4 in.	Brass nickel plated	For 1/4 ID paint tube
971 760	3/8	3/8 in.	Brass nickel plated	For 3/8 ID paint tube

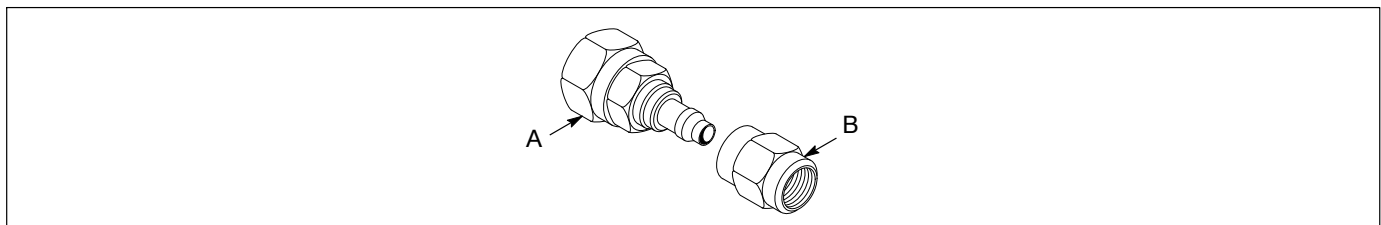


Fig. 29 Female Connector

**Male Adapters**

See Figure 30.

B = used for air hose and low-pressure fluid.

Part	A (NPT)	B	Material Specifications	Feature
972 550	3/8	3/8 NPS	Steel zinc plated	Pipe-to-air/fluid hose
970 552	1/8	1/4 NPS	Brass	Pipe-to-air/fluid hose
972 553	1/4	3/8 NPS	Steel zinc plated	Pipe-to-air/fluid hose
972 556	1/4	1/4 NPSM	Brass cadmium plated	Pipe-to-air/fluid hose

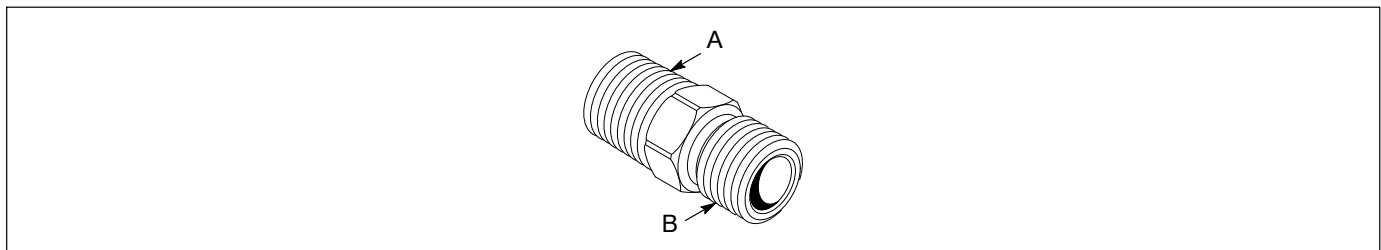


Fig. 30 Male Adapter

**Male Reducer**

See Figure 31.

Part	A (NPSM)	B (NPSM)	Material Specifications	Feature
972 582	1/4	3/8	Brass	Hose-to-hose

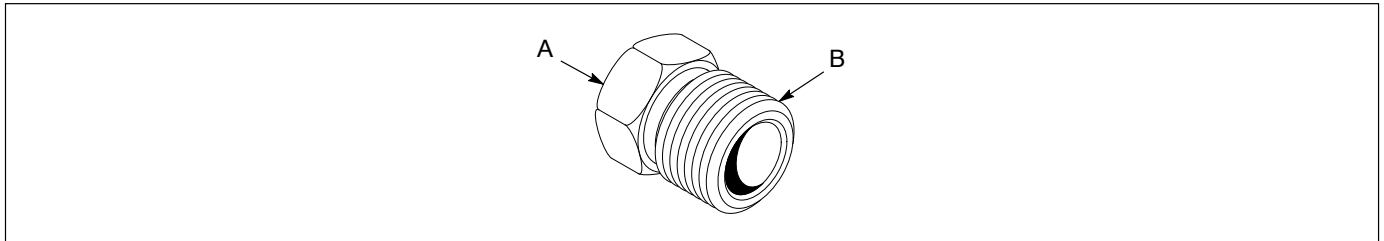


Fig. 31 Male Reducer

**Circulation Block**

See Figure 32.

Part	A (NPT)	B and C	C (NPS)	Material Specifications	Feature
244 913	3/8 (female)	3/8 (male)	3/8 (male)	Aluminum and steel zinc plated	Gun mounting

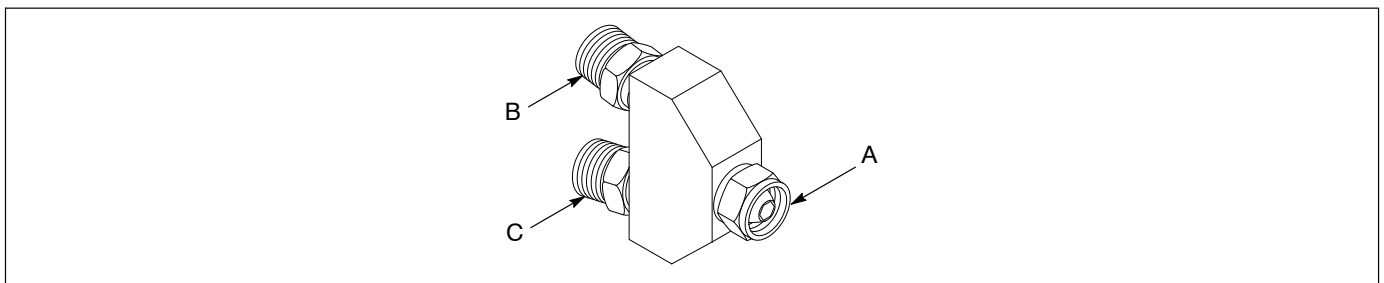


Fig. 32 Circulation Block

**Quick-Disconnect Air**

See Figure 33.

Part	A (NPT)	Material Specifications	Feature
972 594	1/4	Steel	Female half
972 595	1/4	Steel	Male half

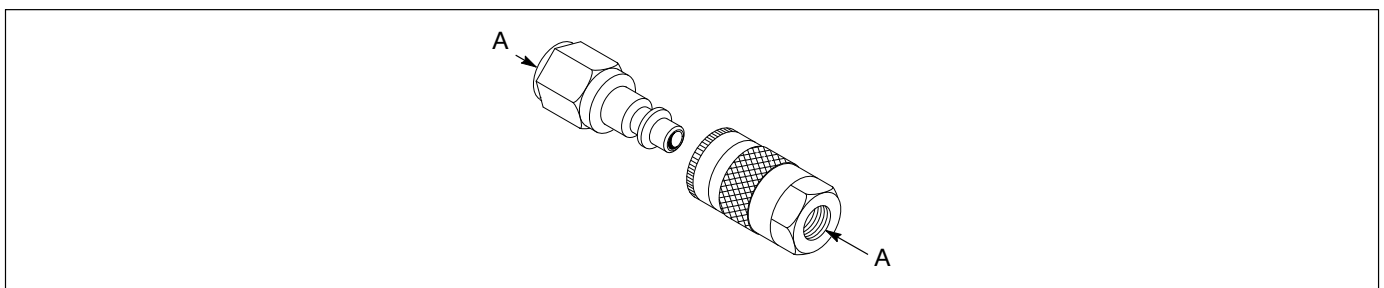


Fig. 33 Quick-Disconnect Air

**Quick-Disconnect Fluid**

See Figure 34.

Part	A (NPT)	Material Specifications	Feature
972 642	1/4	Stainless steel	Quick disconnect, female and male

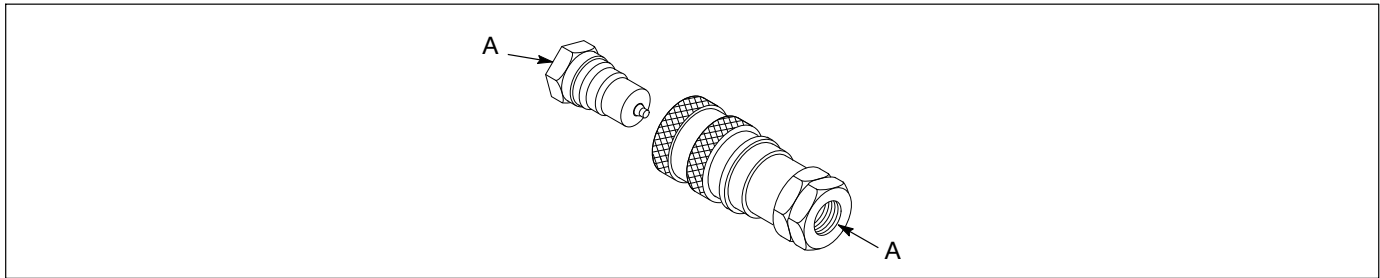


Fig. 34 Quick-Disconnect Fluid

**6. Low-Pressure Tube**

This section has the following fittings:

- Pipe-to-tube male elbows
- Tee tube-to-pipe or tube-to-tube
- Nut with ferrule
- Pipe-to-tube male connectors
- Tube-to-tube connectors
- Pipe-to-tube connector female

**Pipe-to-Tube Male Elbows**

See Figure 35.

B = OD plastic tube compression

Part	Pipe A (NPTF)	Tubing B	Material Specifications	Feature
971 405	1/8	1/8	Brass	Plastic ferrule
971 403	1/8	1/4	Brass	Plastic ferrule
971 406	1/4	1/4	Brass	Plastic ferrule
971 508	1/8	3/8	Brass	Plastic ferrule
971 506	1/4	3/8	Brass	Plastic ferrule
971 515	3/8	3/8	Brass	Plastic ferrule
971 509	3/8	1/2	Brass	Plastic ferrule
971 407	1/8	1/4	Nylon	All plastic

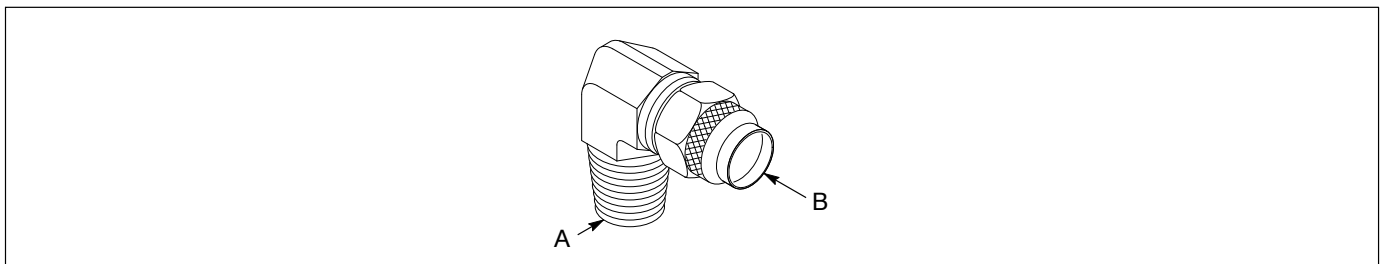


Fig. 35 Pipe-to-Tube Male Elbow

**Tee Tube-to-Pipe or Tube-to-Tube**

See Figure 36.

B = OD plastic tube compression

Part	A	Tubing B	Material Specifications	Feature
971 616	1/8 NPTF (pipe)	1/4 x 1/4	Brass	Plastic ferrule
971 628	1/4 (tube)	1/4 x 1/4	Brass	Plastic ferrule

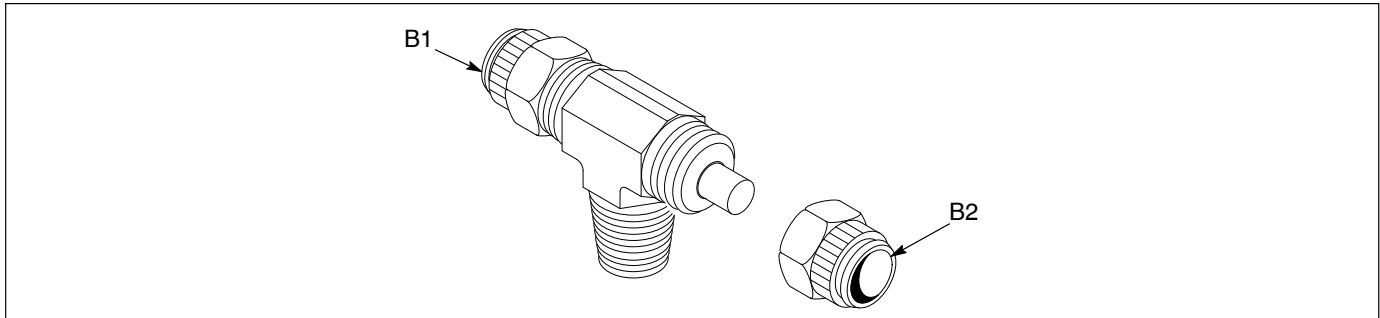


Fig. 36 Tee Tube-to-Pipe or Tube-to-Tube

**Nut with Ferrule**

See Figure 37.

A = OD plastic tube

Part	A	Material Specifications	Feature
972 579	1/4	Brass	Plastic ferrule

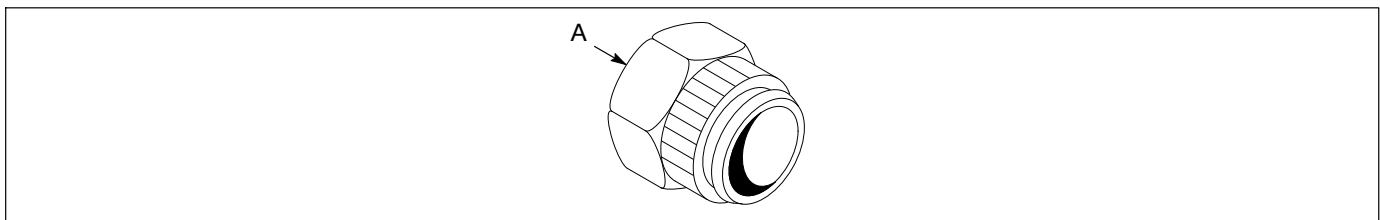


Fig. 37 Nut with Ferrule

**Pipe-to-Tube Male Connectors**

See Figure 38.

B = OD plastic tube compression

Part	Pipe A (NPTF)	Tubing B	Material Specifications	Feature
971 154	1/8	1/4	Brass	Plastic ferrule
971 155	1/4	1/4	Brass	—
971 156	3/8	1/4	Brass	—
971 260	1/8	3/8	Brass	—
971 258	1/4	3/8	Brass	—
971 259	3/8	3/8	Brass	—

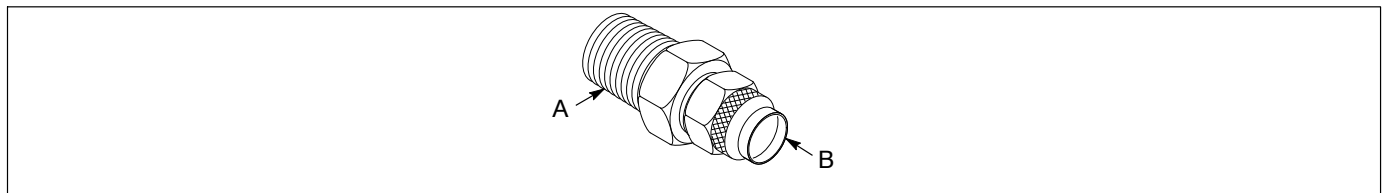


Fig. 38 Pipe-to-Tube Male Connector

**Tube-to-Tube Connectors**

See Figure 39.

A = OD plastic tube compression

B = OD plastic tube compression

Part	Tubing A	Tubing B	Material Specifications	Feature
971 618	1/4	1/4	Brass	Ferrule
971 617	1/4	1/4	Brass	Bulk head

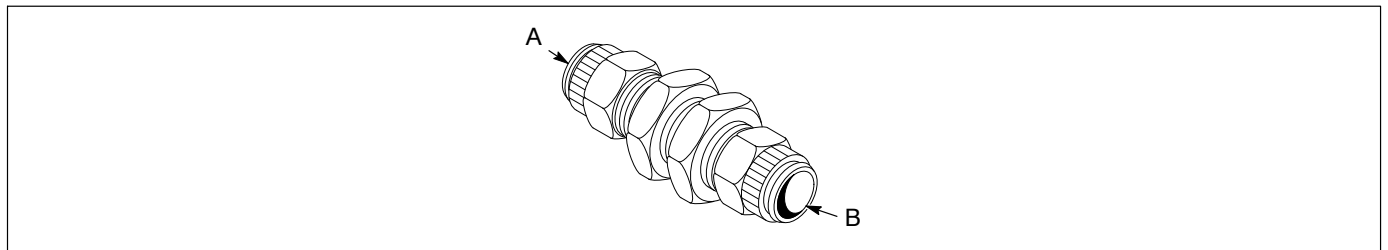


Fig. 39 Tube-to-Tube Connector

**Pipe-to-Tube Connector  
Female**

See Figure 40.

B = OD plastic tube compression

Part	Pipe A (NPTF)	Tubing B	Material Specifications	Feature
971 612	1/8	1/4	Brass	Plastic ferrule

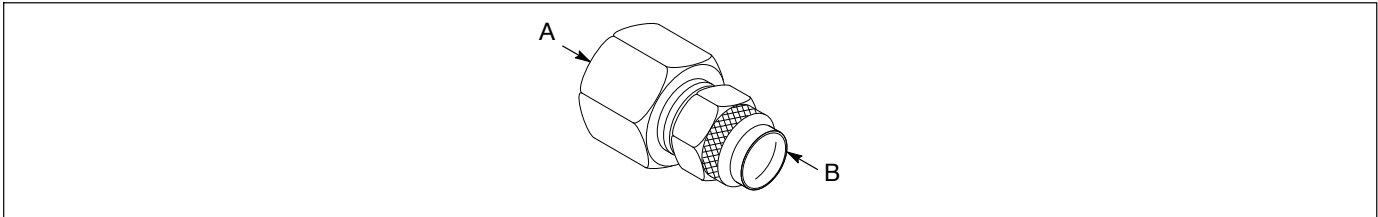


Fig. 40 Pipe-to-Tube Connector Female



**7. Low-Pressure Plastic Fittings**

This section has the following fittings:

- Straight connectors
- Elbows
- Tube nuts

**Straight Connectors**

See Figure 41.

Part	Thread A	Thread B	Feature
971 159	1/8 NPT	1/4 ID tube	Used on air line plastic regulator and dump valve

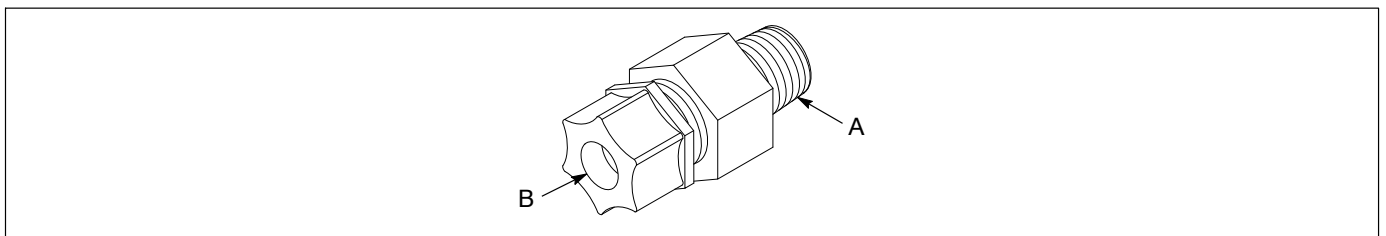


Fig. 41 Straight Connector

**Elbows**

See Figure 42.

Part	Thread A	Thread B	Feature
247 832	3/8 NPTF	3/16 ID tube special PTFE	Heavy wall; used on plastic regulator
971 627	3/8 NPT	3/16 ID tube special PTFE	Heavy wall with nut
971 407	1/8 NPT	1/4 ID tube	Used on air line plastic regulator and dump valve
971 507	1/4 NPT	3/16 ID tube special PTFE	Heavy wall; used on AN-9 and dump valve

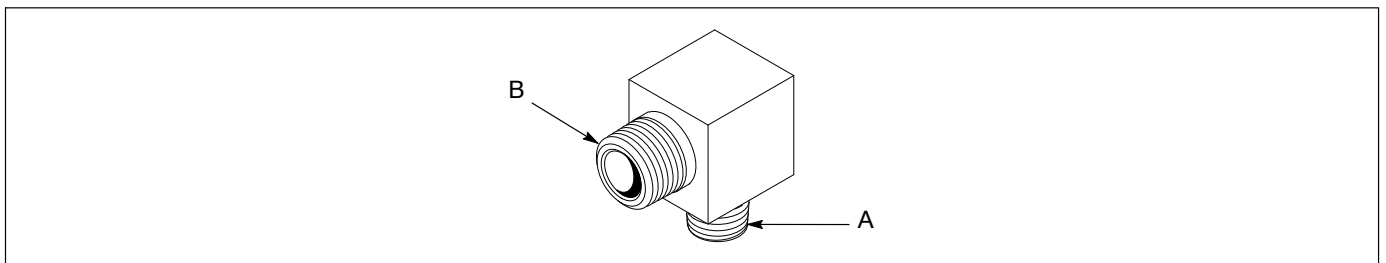


Fig. 42 Elbow

**Tube Nuts**

See Figure 43.

Part	Thread A	Feature
972 602	$\frac{3}{8}$ OD tube	Nut with ferrule; used on heavy wall fittings
972 645	$\frac{1}{2}$ OD tube	Nut with ferrule; used on heavy wall fittings

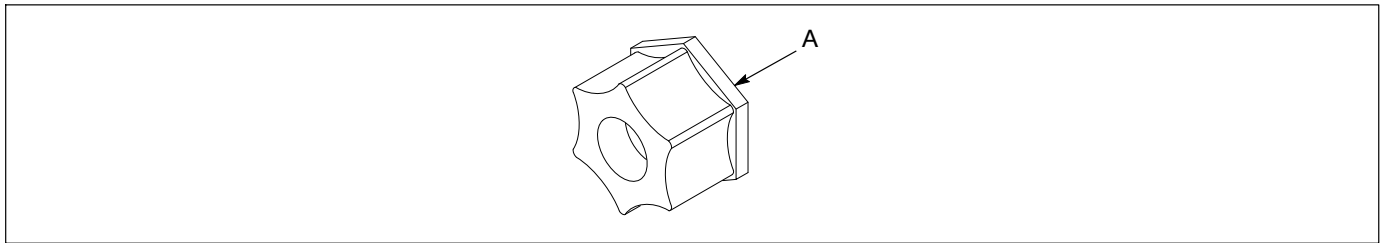


Fig. 43 Tube Nut

Original copyright date 1979. Nordson and the Nordson logo are registered trademarks of Nordson Corporation.

Delrin is a registered trademark of E. I. DuPont de Nemours and Company.