

Electrode Replacement Kit

1. Introduction

See Figure 1. Figure 1 shows the updated electrode and support assembly now used in 4A, 4AH, HF10, and LF10 guns. The new electrode assembly combines the electrode (2) with a spacer (3) and a self-tapping screw (1). When installed in the electrode support (4), the assembly is stronger and prevents leakage of dielectric grease from the cable well.

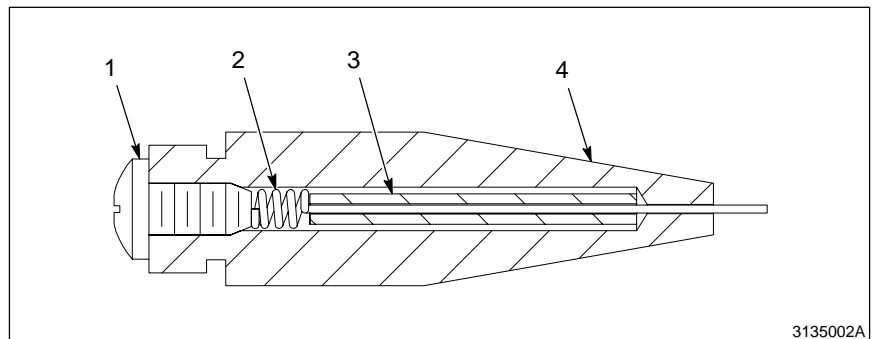


Fig. 1 New electrode assembly with electrode support

- | | |
|-----------------------|----------------------|
| 1. Self-tapping screw | 3. Spacer |
| 2. Electrode | 4. Electrode support |

Ordering the Proper Kit

Several gun models already contain a compatible support and require only the new electrode assembly. Refer to Table 1 to upgrade or replace your electrode assembly. Refer to the parts lists in this document for additional ordering information.

Table 1 Ordering Information for the Correct Electrode Kit

If you have a/an . . .	Then order the . . .
4A or 4AH gun	Electrode Assembly Kit, part 229 855, the first time to upgrade your gun and electrode support. Once you have upgraded your gun, order the Electrode Replacement Kit, part 229 856, to replace the electrode only.
HF10 or LF10 gun	Electrode Replacement Kit, part 229 856, to replace the electrode. These model guns already have a compatible support installed.

2. Parts

Use the following part numbers to order replacement electrode assemblies. If you require assistance in ordering, contact your Nordson Corporation representative.

Electrode Replacement Kit

See Figure 2.

Item	Part	Description	Quantity	Note
—	229 856	Kit, electrode replacement	—	A
1	-----	• Screw, pan, self-tapping, 8-18 x 0.312, zinc	1	
2	-----	• Electrode	1	B
3	-----	• Spacer, electrode	1	

NOTE A: Order this kit to replace your electrode assembly if you have an HF10 or LF10 gun.

B: This new electrode assembly replaces the old electrode assembly, part 247 799.

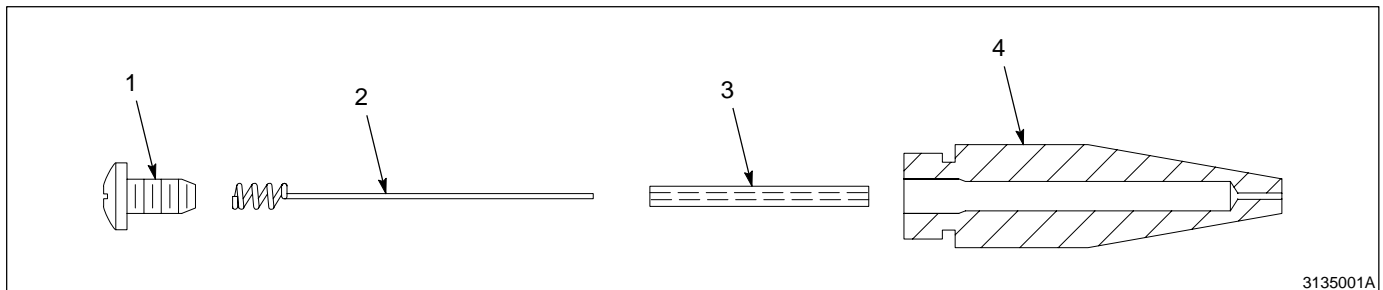


Fig. 2 Electrode assembly with electrode support

Electrode Assembly Kit

See Figure 2.

Item	Part	Description	Quantity	Note
—	229 855	Kit, electrode assembly	—	A
1	-----	• Screw, pan, self-tapping, 8-18 x 0.312, zinc	1	
2	-----	• Electrode	1	B
3	-----	• Spacer, electrode	1	
4	134 530	• Support, electrode	1	

NOTE A: Order this kit only if you have to upgrade a 4A or 4H gun. Once you have upgraded your gun, order only items 1–3, available in the Electrode Replacement Kit, part 229 856.

B: This new electrode assembly replaces the old electrode assembly, part 247 799.

Nordson and the Nordson logo are registered trademarks of Nordson Corporation.