

Pattern Adjuster for Encore™ Lance Assemblies

Introduction

This pattern adjuster is used exclusively on Encore™ 150- and 300-mm lance assemblies. It incorporates a conical nozzle. The 16, 19, and 26-mm deflectors (sold separately) for standard Encore conical nozzles can be used with the pattern adjuster.

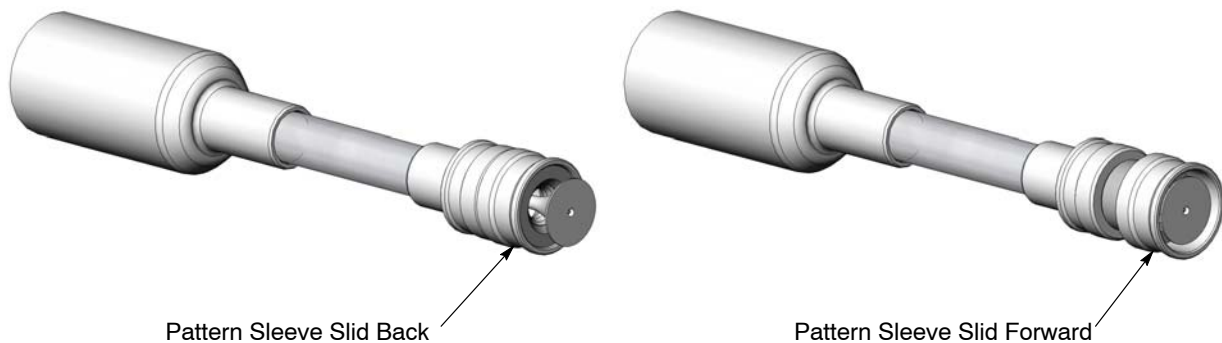


Figure 1 Pattern Adjuster Installed on 150-mm Lance Assembly

Installation

1. See Figure 2. Install the lance assembly on the Encore® Manual Spray Gun, as described in the instruction sheet shipped with the lance assembly.
2. Remove the shipping cap (not shown) and nozzle sleeve from the end of the lance assembly. Keep the nozzle sleeve for future use with standard nozzles.
3. Locate the end of the pattern adjuster with the visible O-ring. Slide that end of the pattern adjuster over the end of the lance assembly. Be careful not to damage the electrode holder.
4. Install a deflector on the electrode holder.
5. See Figure 1. Slide the pattern sleeve forward to narrow the pattern, back to widen it.

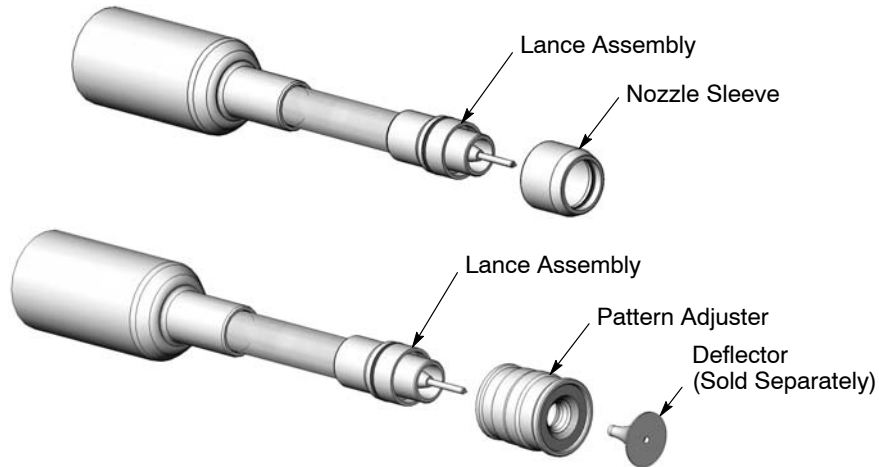


Figure 2 Installing Pattern Adjuster on Lance Assembly

Parts

To order parts, call the Nordson Industrial Coating Customer Support Center at (800) 433-9319, or contact your local Nordson representative.

Pattern Adjuster

Part	Description	Note
1100012	KIT, pattern adjuster, Encore lance extension	
940233	• O-RING, silicone, 1.062 x 1.188 x 0.062 in.	

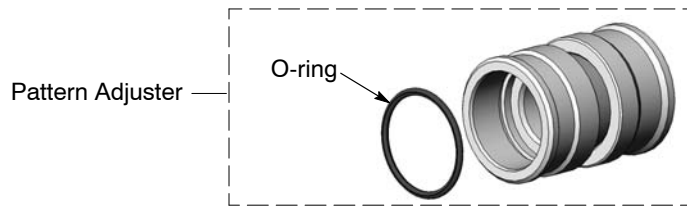


Figure 3 Pattern Adjuster Parts

Optional Deflectors

Part	Description	Note
1083201	DEFLECTOR, 16-mm, Encore	
1083205	DEFLECTOR, 19-mm, Encore	
1083206	DEFLECTOR, 26-mm, Encore	

Issued 1/2010

Original copyright date 2010. Encore, Nordson, and the Nordson logo are registered trademarks of Nordson Corporation.