

Encore[®] Pattern Adjuster Kit

Description

The Pattern Adjuster Kit is an option for the Encore Manual Powder Spray Gun. The kit includes an integral conical nozzle. 16, 19, and 26-mm deflectors can be used with the pattern adjuster kit. The deflectors are not included with the kit; they must be ordered separately.

Installation

1. Remove the deflector, nozzle nut, and conical nozzle, or the nozzle nut and flat spray nozzle from the spray gun.
2. Blow off the electrode assembly.
3. Install the integral conical nozzle over the electrode assembly and screw the nozzle nut clockwise until finger-tight
4. Install a 16, 19, or 26-mm deflector onto the electrode holder.

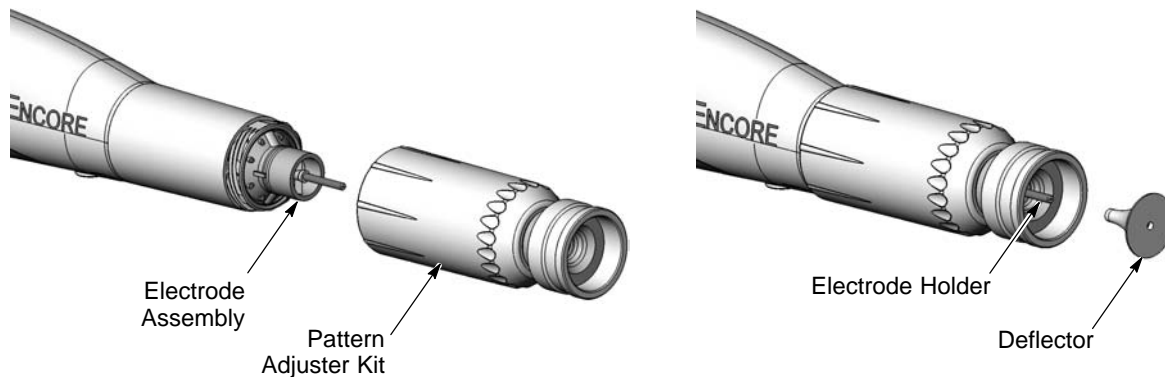
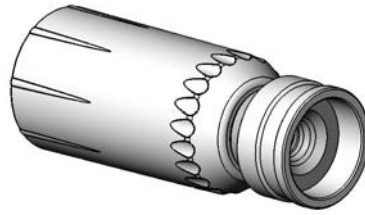


Figure 1 Pattern Adjuster Kit Installation

Parts

Pattern Adjuster Kit



1098417
Kit, Pattern Adjuster, Manual Gun, Encore

Figure 2 Pattern Adjuster Kit

Optional Deflectors

Order deflectors separately.



1083201
16-mm Deflector



1083205
19-mm Deflector



1083206
26-mm Deflector

Figure 3 Optional Deflectors

Issued 11/09

Original copyright date 2009. Encore, Nordson, and the Nordson logo are registered trademarks of Nordson Corporation.