

# Supplement for Pro-Flo II Controllers with Fanuc B Modules

## Introduction



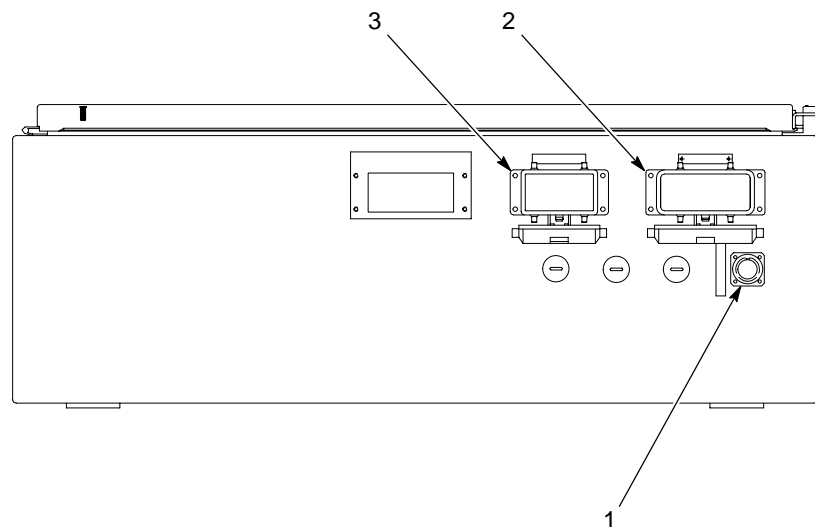
**WARNING:** Allow only qualified personnel to perform the following tasks. Follow the safety instructions in this document and all other related documentation.

**NOTE:** This supplement only describes the differences in data between existing Pro-Flo II controller documentation and a Pro-Flo II controller with Fanuc B modules. The Pro-Flo II controller with Fanuc B modules is referred to as the controller throughout this supplement.

## Cable Connections

See Figure 1. The following cable connections apply to the controller:

Item	From	To
1	CONNECTOR 1	Robot J-box (Pro-Flo II Gun)
2	CONNECTOR 2	Robot J-box (Flowmeter)
3	TEMP. COND.	Temperature conditioning system

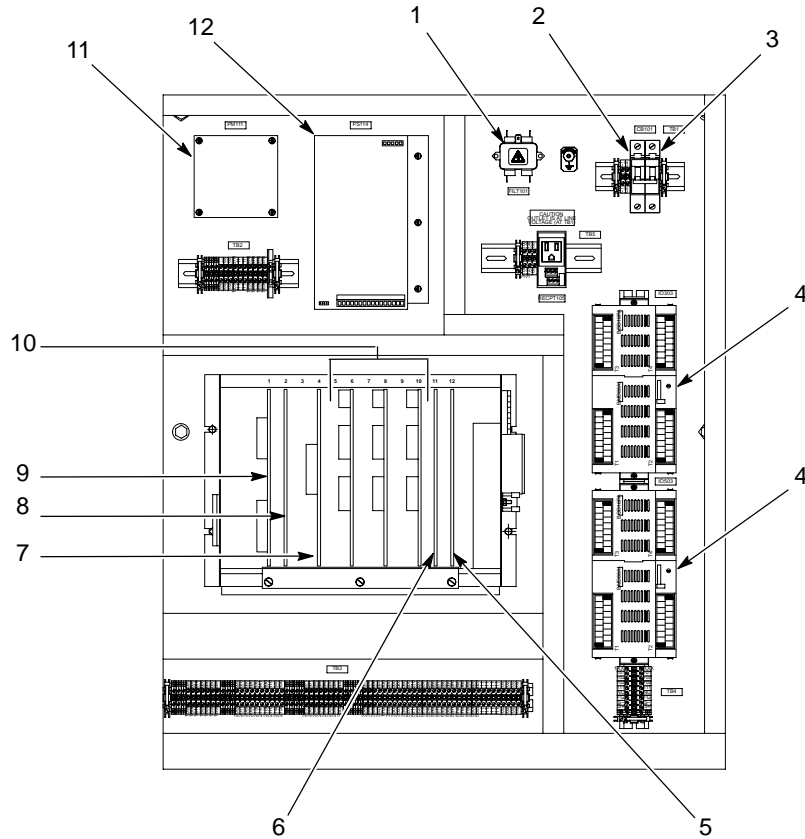


1100241A

Figure 1 Cable Connections

# Parts

See Figure 2 and the parts list. Keep these parts on hand to reduce downtime.



1100242A

Figure 2 Spare Parts

Item	Part	Description	Quantity	Note
—	-----	Controller, Pro-Flo II	1	
1	117272	• Inductor, filter, EMI	1	
2	281739	• Circuit breaker, 6 amp, DPDT	1	
3	230544	• Circuit breaker, 4 amp, rail-mount	1	
4	-----	• Module, B, Fanuc	2	
5	135117	• Board, 1 meg, memory, assembly	1	
6	322941	• Board, P4000, advance control assembly	1	
7	325287	• PCA, board, config, gun, Pro-Flo II	1	
8	1017136	• PCA, Pro-Flo D/A expansion	1	
9	227119	• PCA, Pro-Flo, communications	1	
10	105987	• Board, digital, 8-channel, I/O assembly	3	
11	109302	• Board, power monitor assembly	1	
12	233612	• Power supply	1	

# Installation Dimensions

See Figure 3.

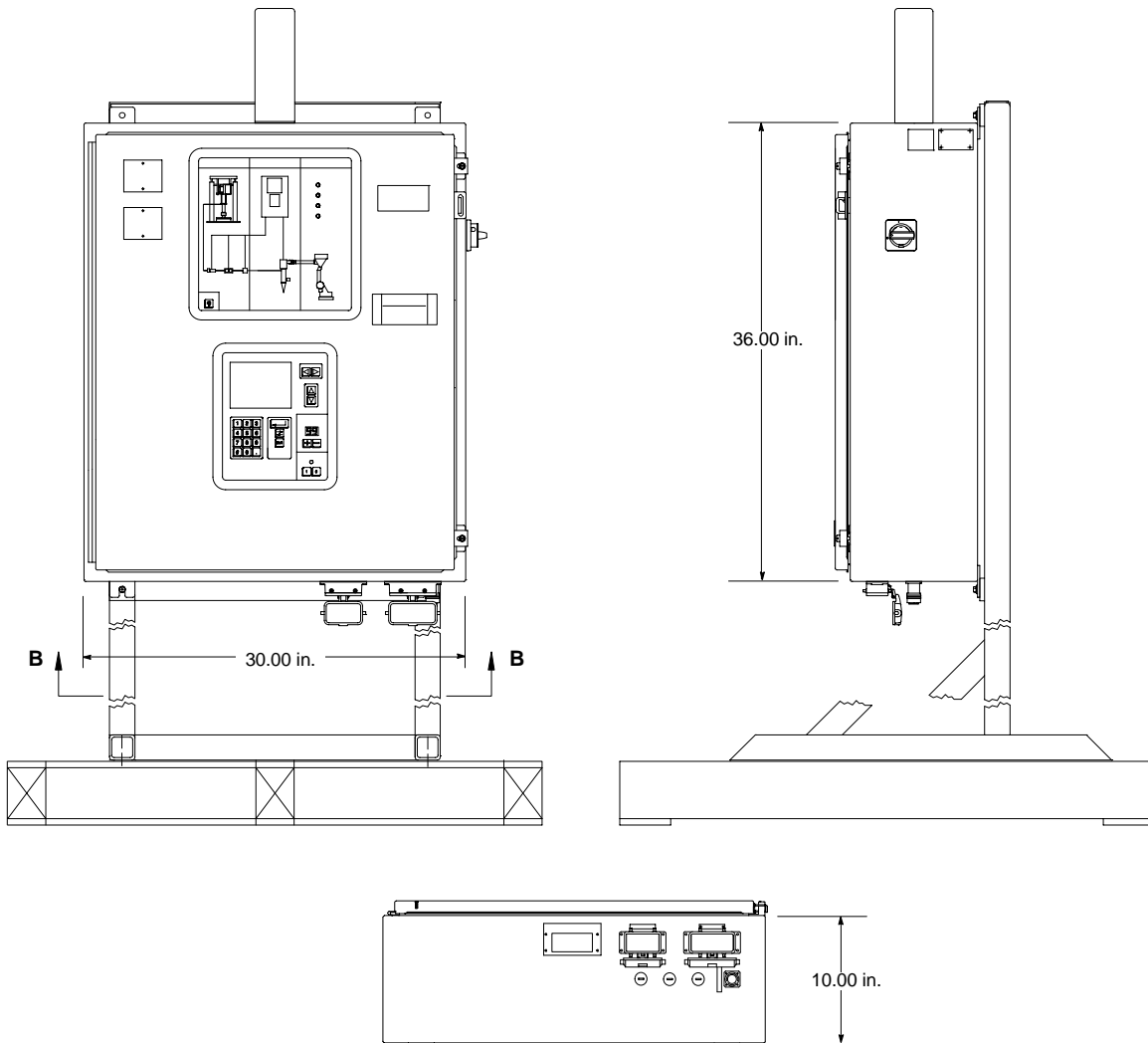


Figure 3 Installation Dimensions

1100228A

# Schematics

See Figure 4.

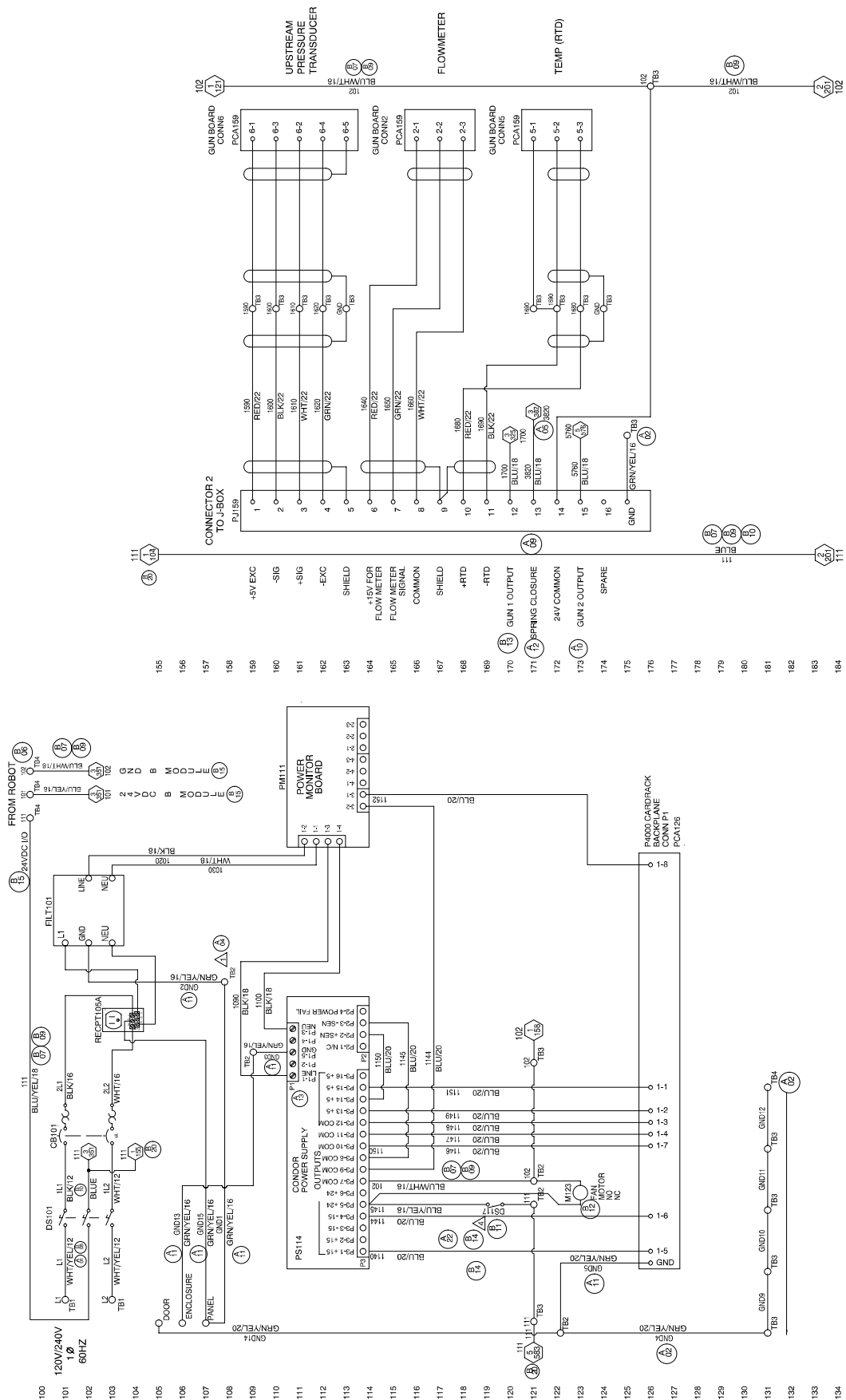


Figure 4 Controller Schematic (1 of 12)



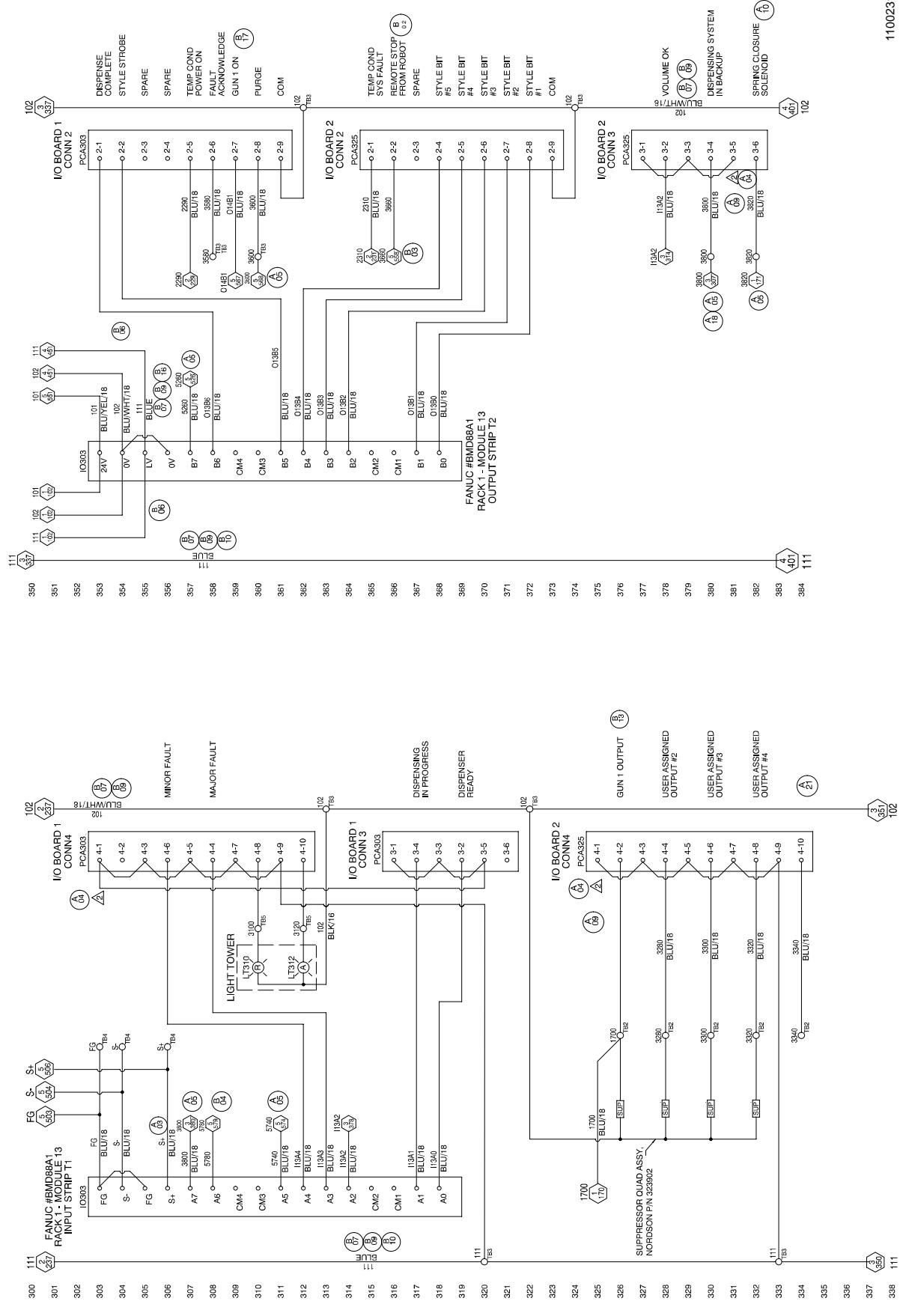


Figure 4 Controller Schematic (3 of 12)

1100231A

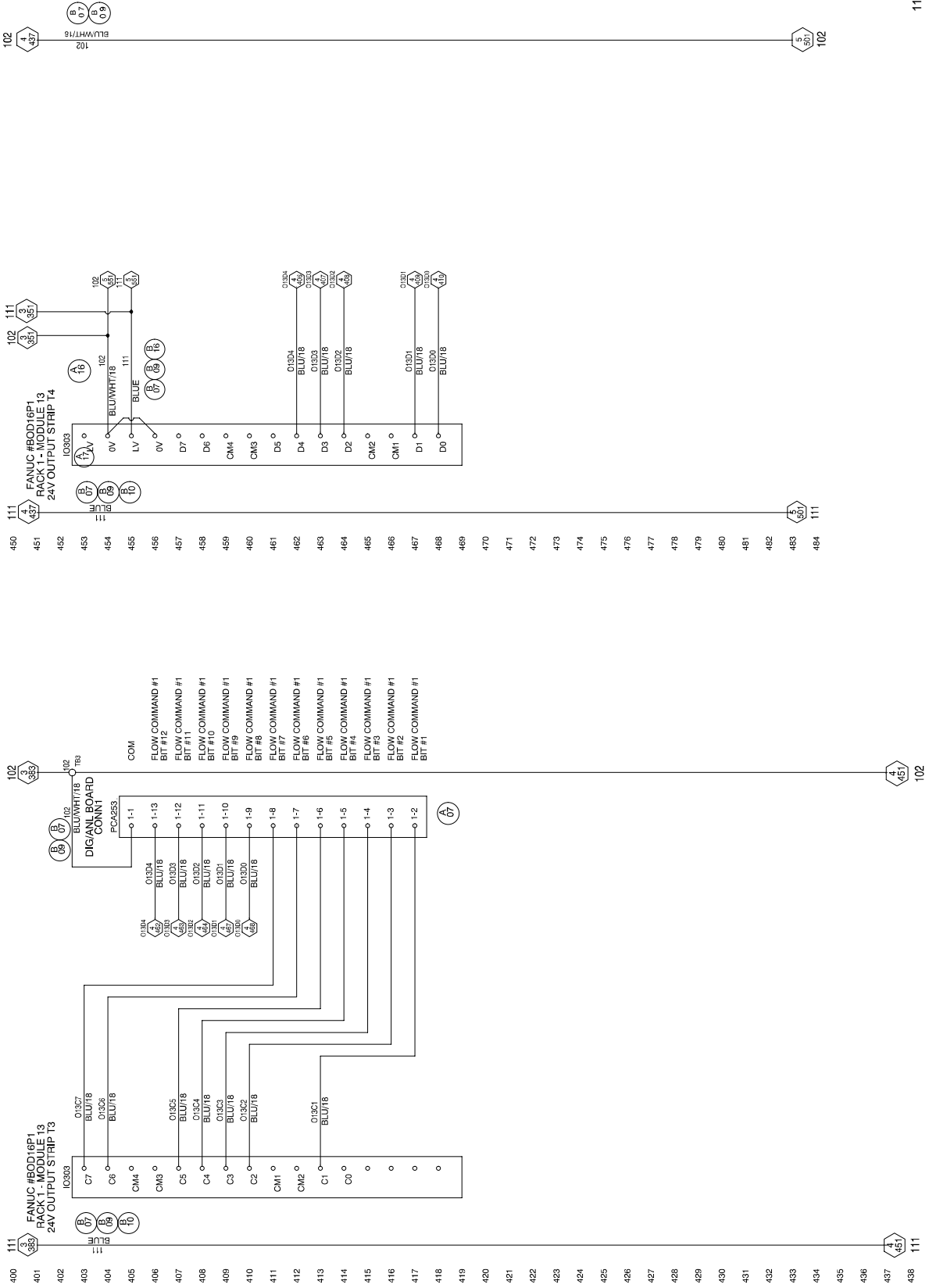


Figure 4 Controller Schematic (4 of 12)







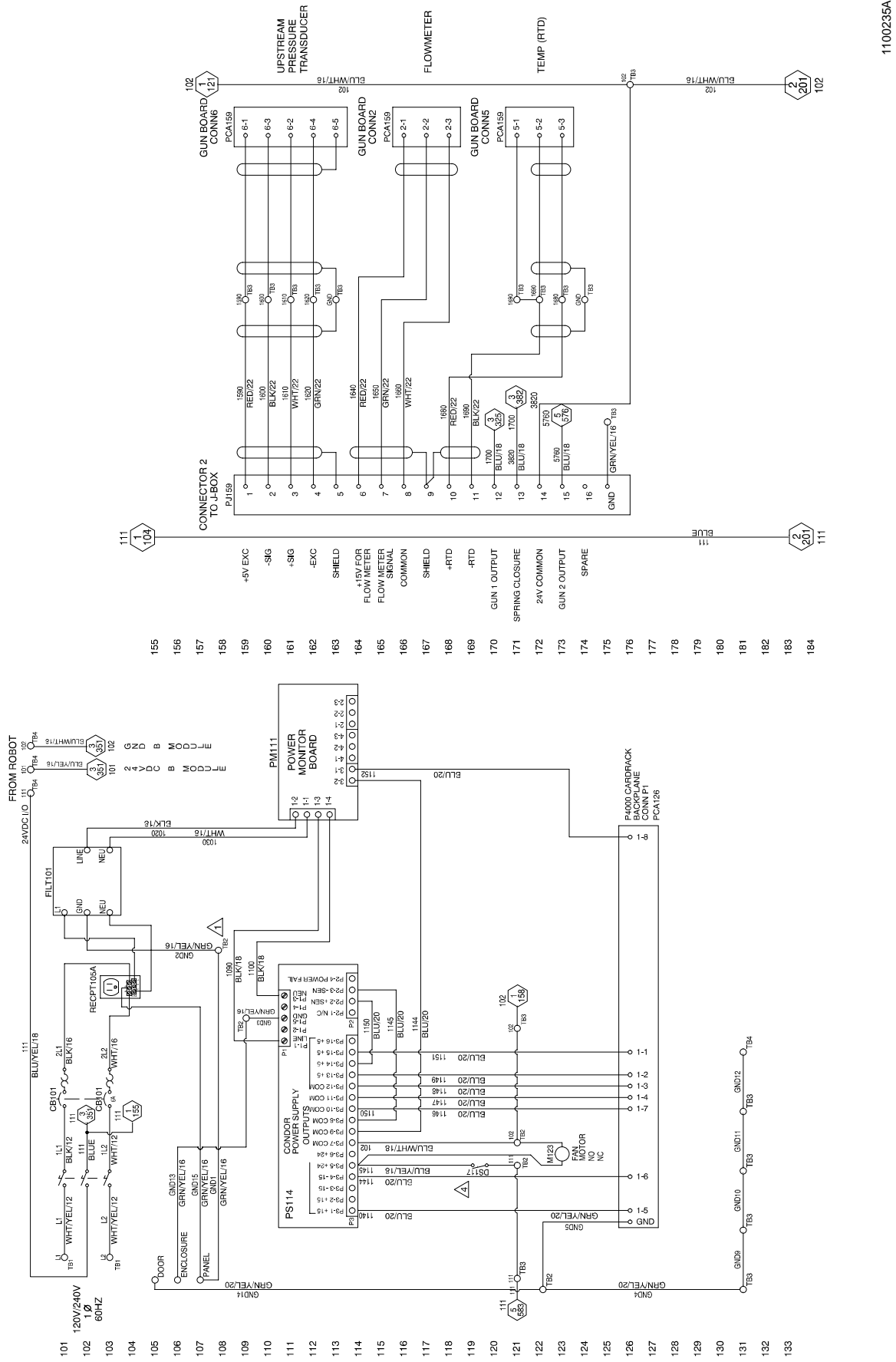
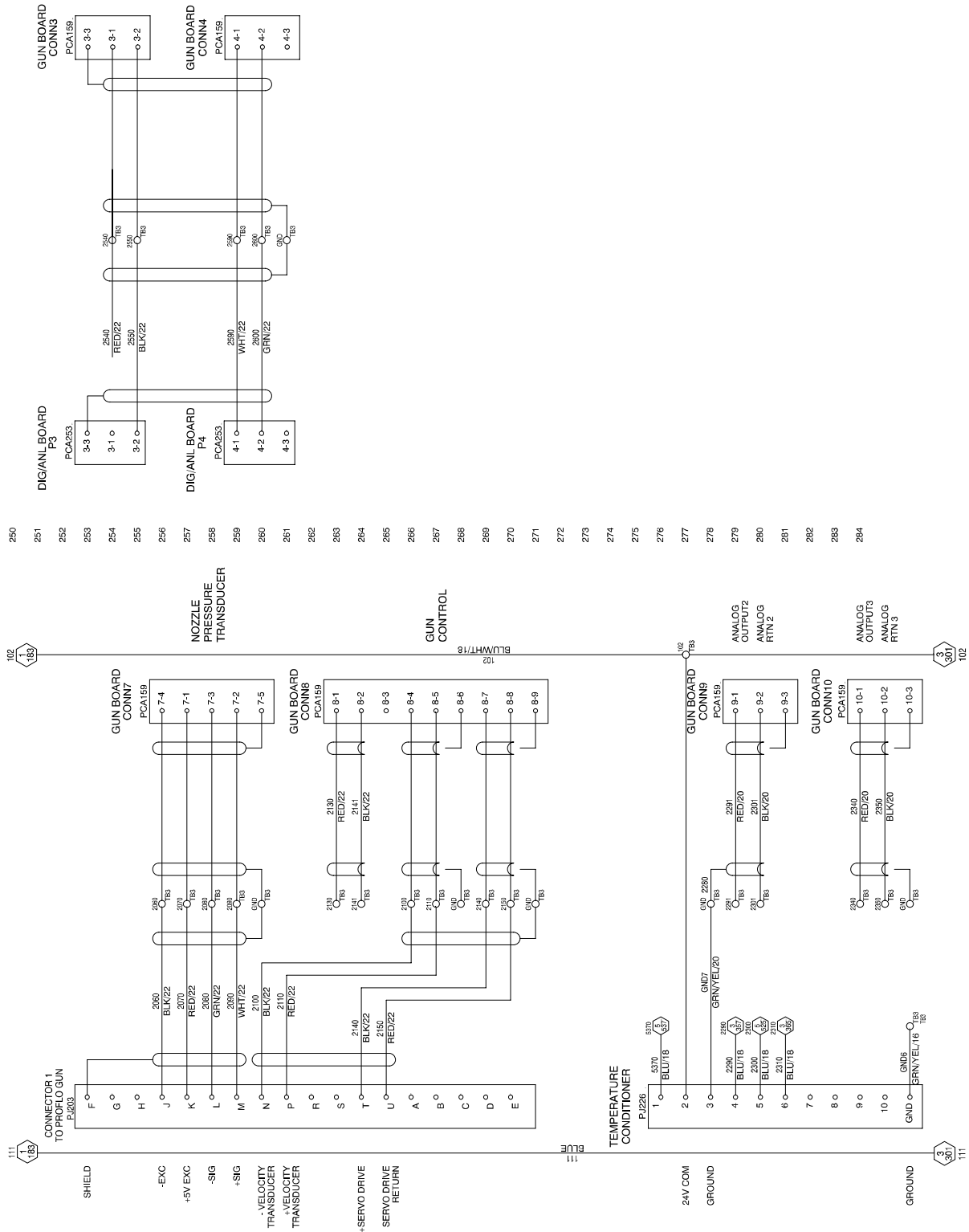


Figure 4 Controller Schematic (7 of 12)

1100235A



1100236A

Figure 4 Controller Schematic (8 of 12)

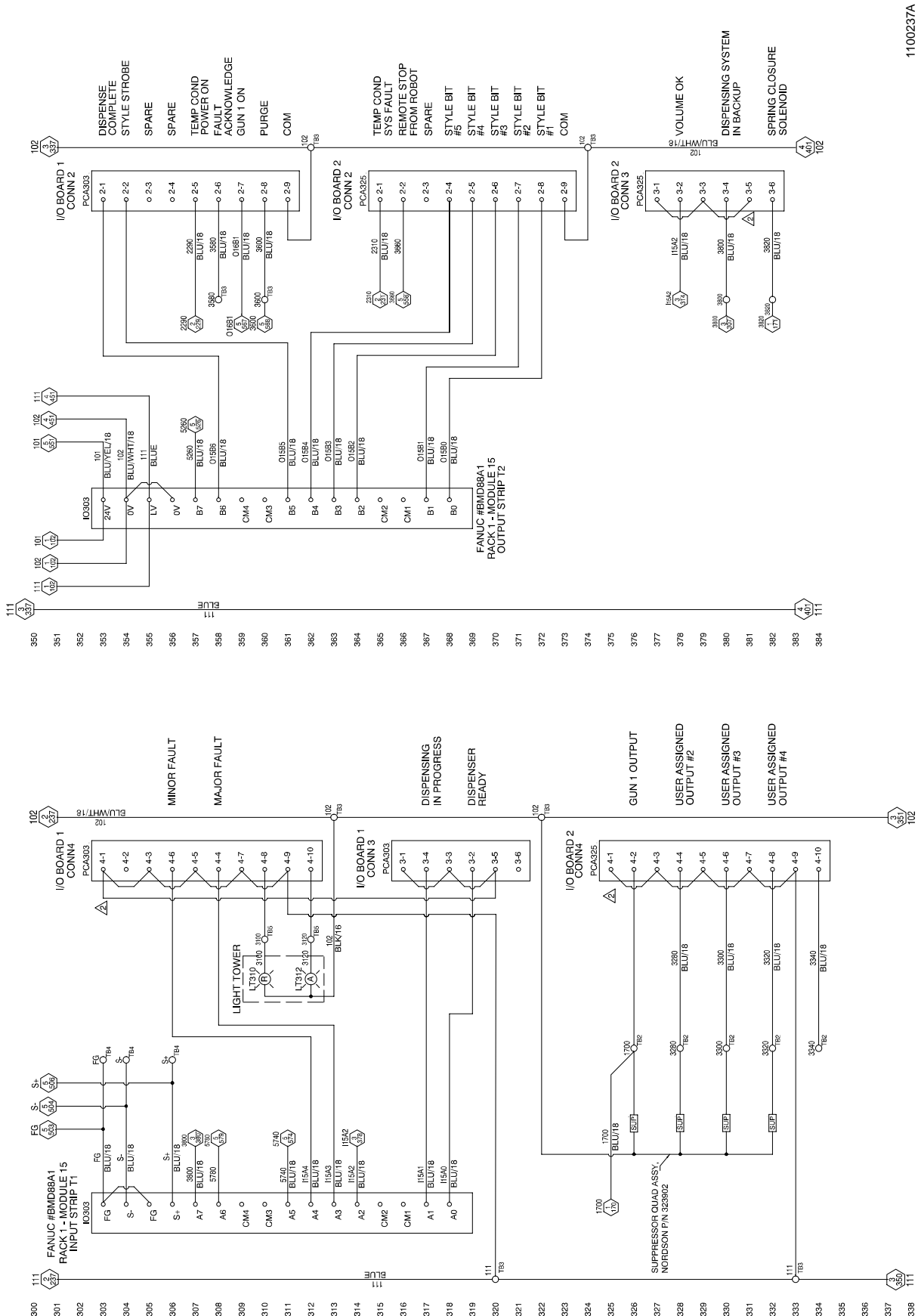
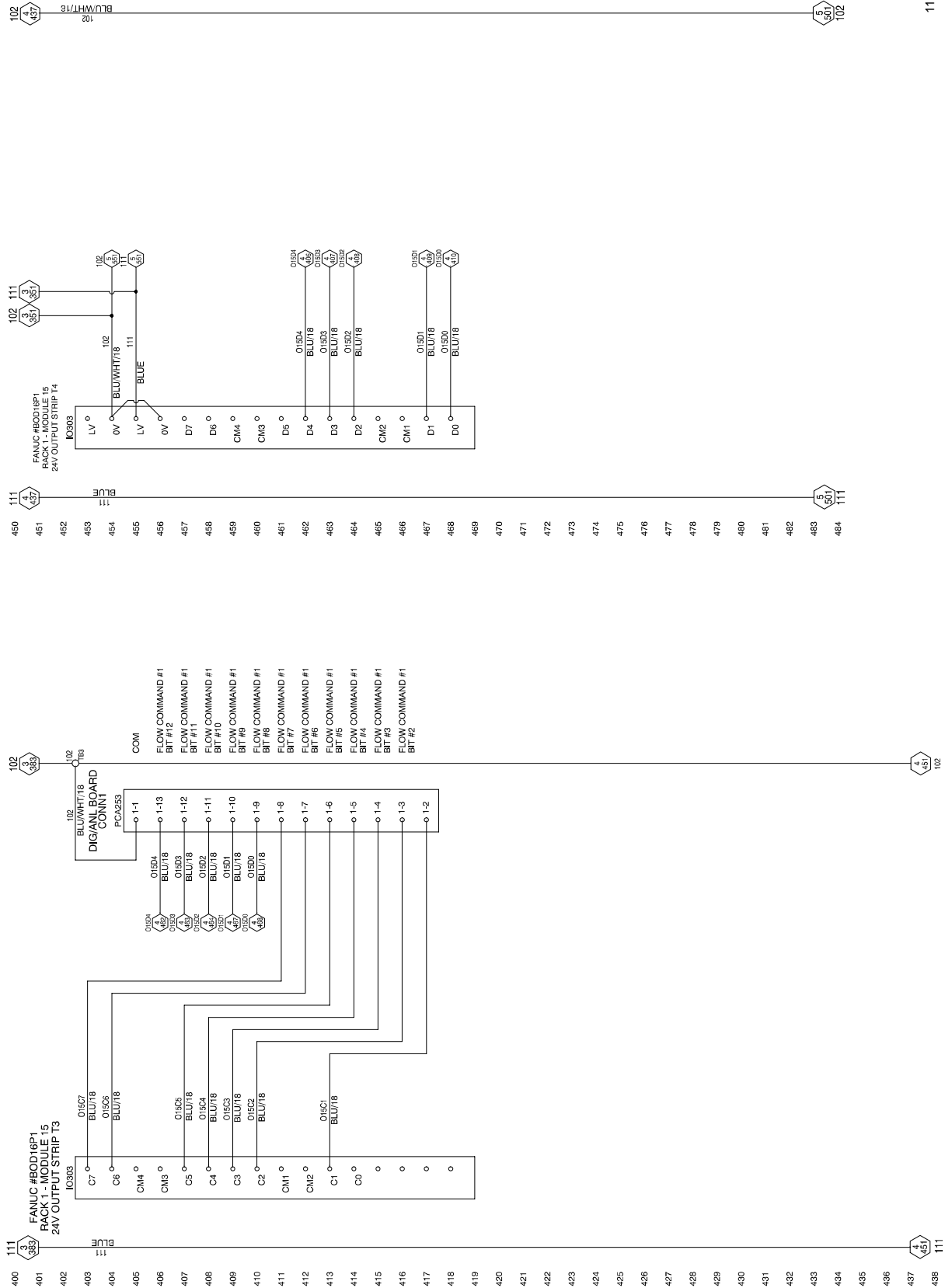


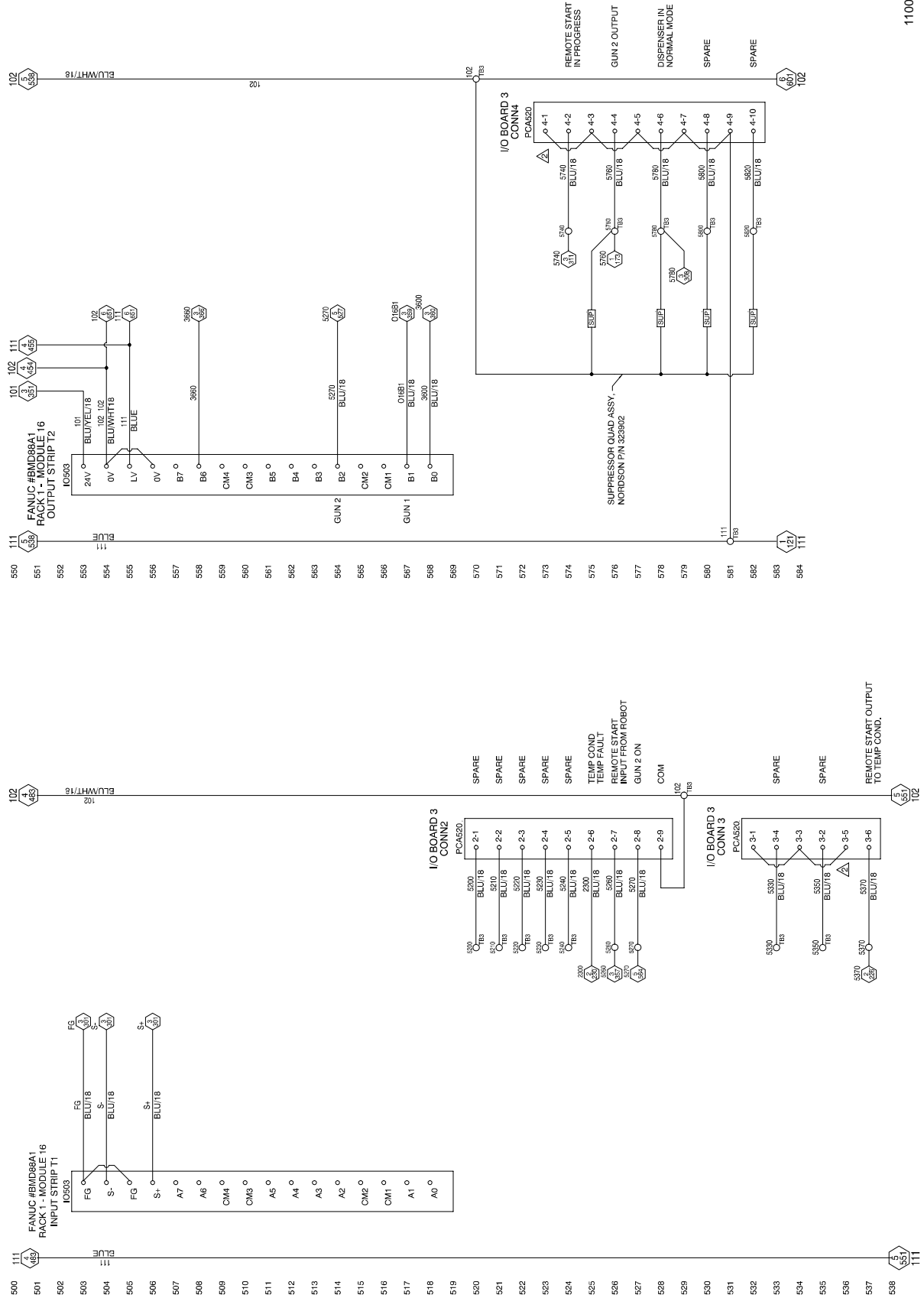
Figure 4 Controller Schematic (9 of 12)

1100237A



1100238A

Figure 4 Controller Schematic (10 of 12)



1100239A

Figure 4 Controller Schematic (11 of 12)

1100240A

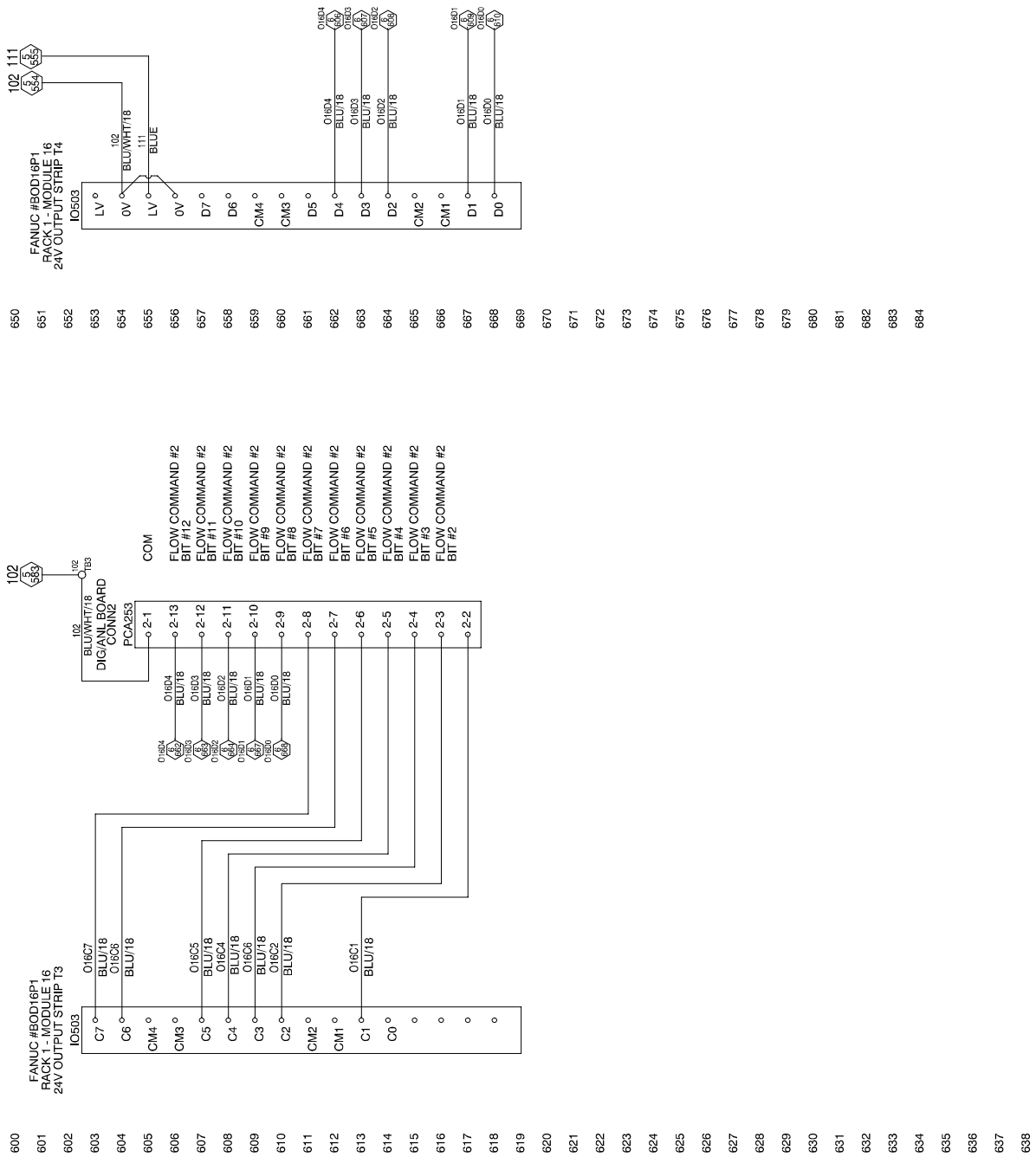


Figure 4 Controller Schematic (12 of 12)

