

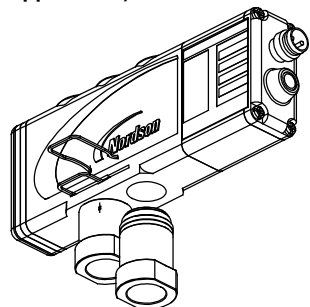
Saturn Platinum Solenoid Valve Kit - P/N 1120210

Kits are shipped with a solenoid valve, two silencers, two clips, and two quick-disconnect fittings. Optional accessories shown are purchased separately. Use these instructions to install a solenoid valve onto a pneumatic applicator.

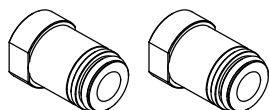
WARNING: Risk of personal injury or equipment damage! Refer to the safety information provided in the melter manual before servicing the melter. Failure to comply with the safety information provided can result in personal injury, including death.

Required Tools:
 3-mm Allen wrench/hex wrench
 3/16 or 0.187 hex wrench (for pipe plug)
 Small adjustable crescent wrench

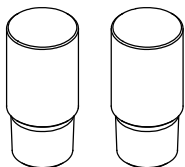
4-way solenoid with silencers (air-open-air-closed applicators)



P/N 1120205
24 VDC Standard



P/N 1120206
Fitting, 1/8 NPT, female, quick connect (installed using clips shown in top image)



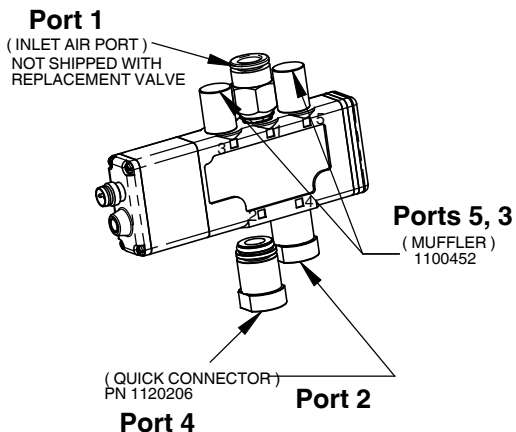
P/N 1100452
Muffer, 1/8 NPT



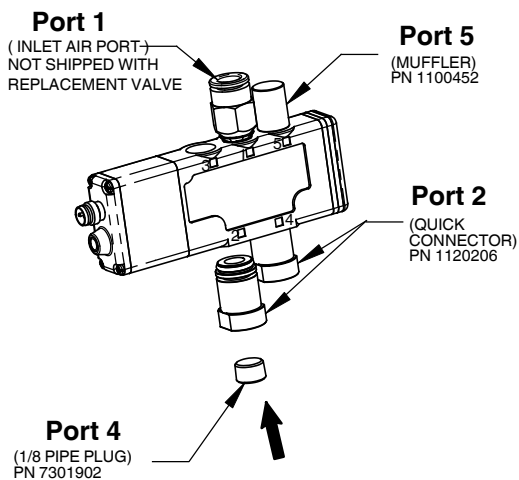
P/N 7301902
1/8 Pipe plug

Configure the Solenoid for 4-Way or 3-way Operation

4-WAY VALVE CONFIGURATION

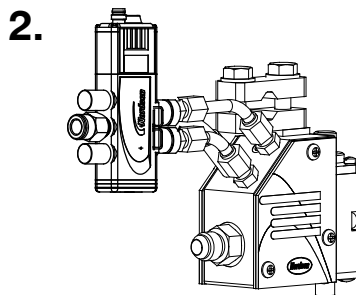
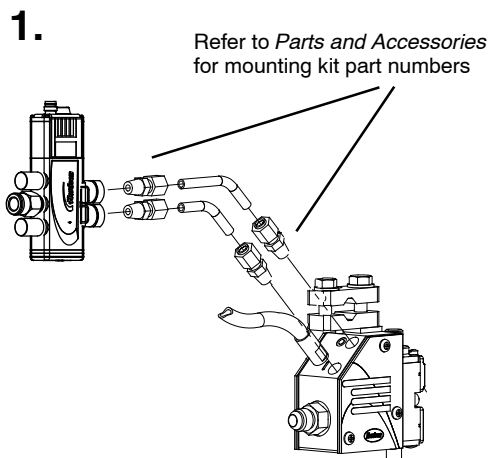


3-WAY VALVE CONFIGURATION



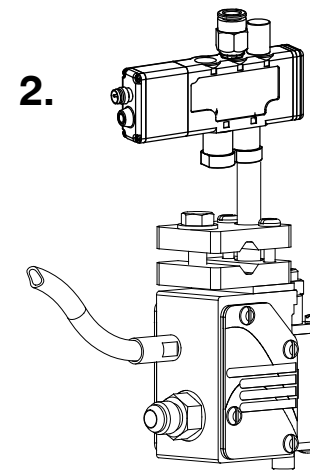
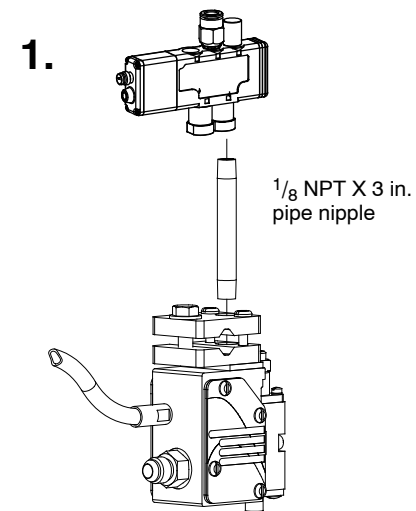
Continue to step 1.

Install a 4-Way Solenoid on a Best Choice Applicator



Continue to step 3.

Install a 3-Way Solenoid on a Best Choice Applicator

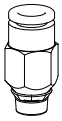


Continue to step 3.

Continue

Parts and Accessories

Air Fittings



P/N 972288
1/8 NPT x 8-mm tubing

P/N 972141
1/8 NPT x 6-mm tubing

Cables



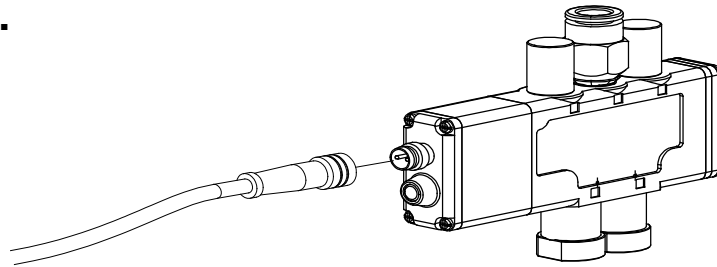
P/N 1100687
Straight cable



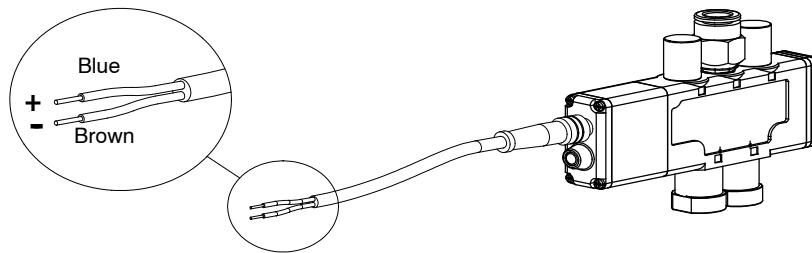
P/N 1100688
90-degree cable

Connect Solenoid Valve Cable to Solenoid

3.

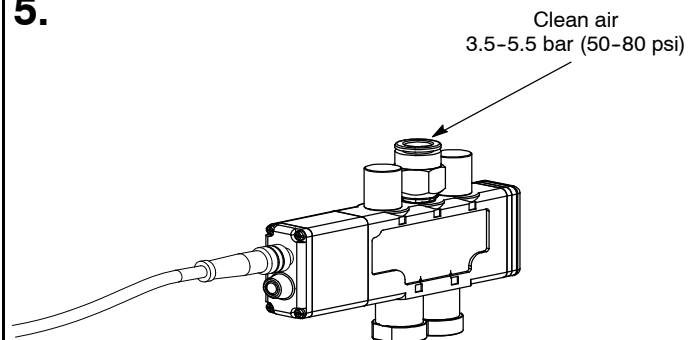


4.



CAUTION!: Use a non-spiked 24 VDC trigger signal.
Failure to use a non-spiked signal will damage the solenoid.

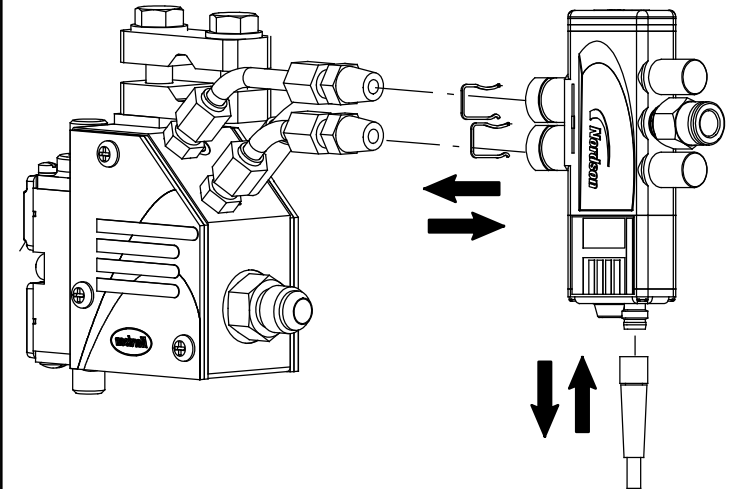
5.



Replace a Solenoid Valve

1. Disconnect solenoid cable.
2. Remove clips from solenoid valve.
3. Remove solenoid from quick-disconnect fitting (s).
4. Install replacement solenoid (pre-configured for 4-way or 3-way operation as shown on page 1) on quick-disconnect fitting(s).
5. Reinstall clips and reconnect solenoid cable.

4-way solenoid



3-way solenoid

